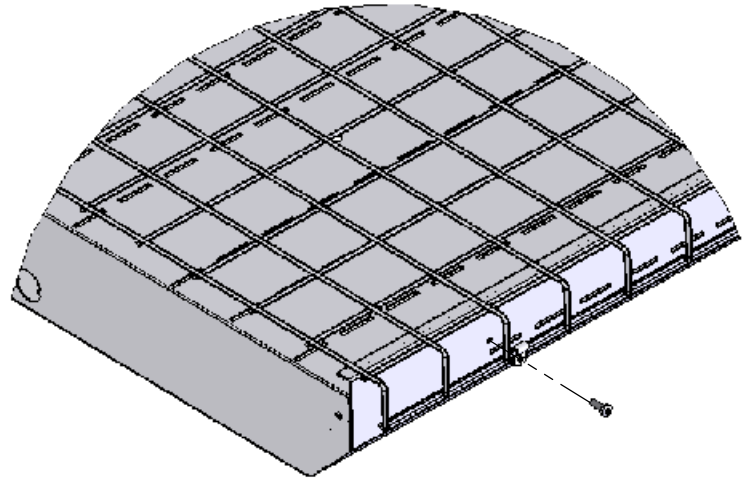
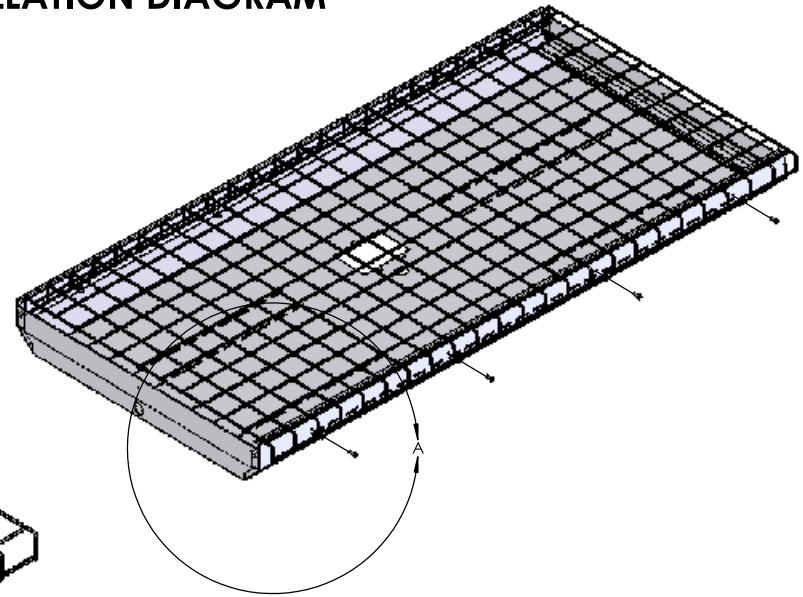
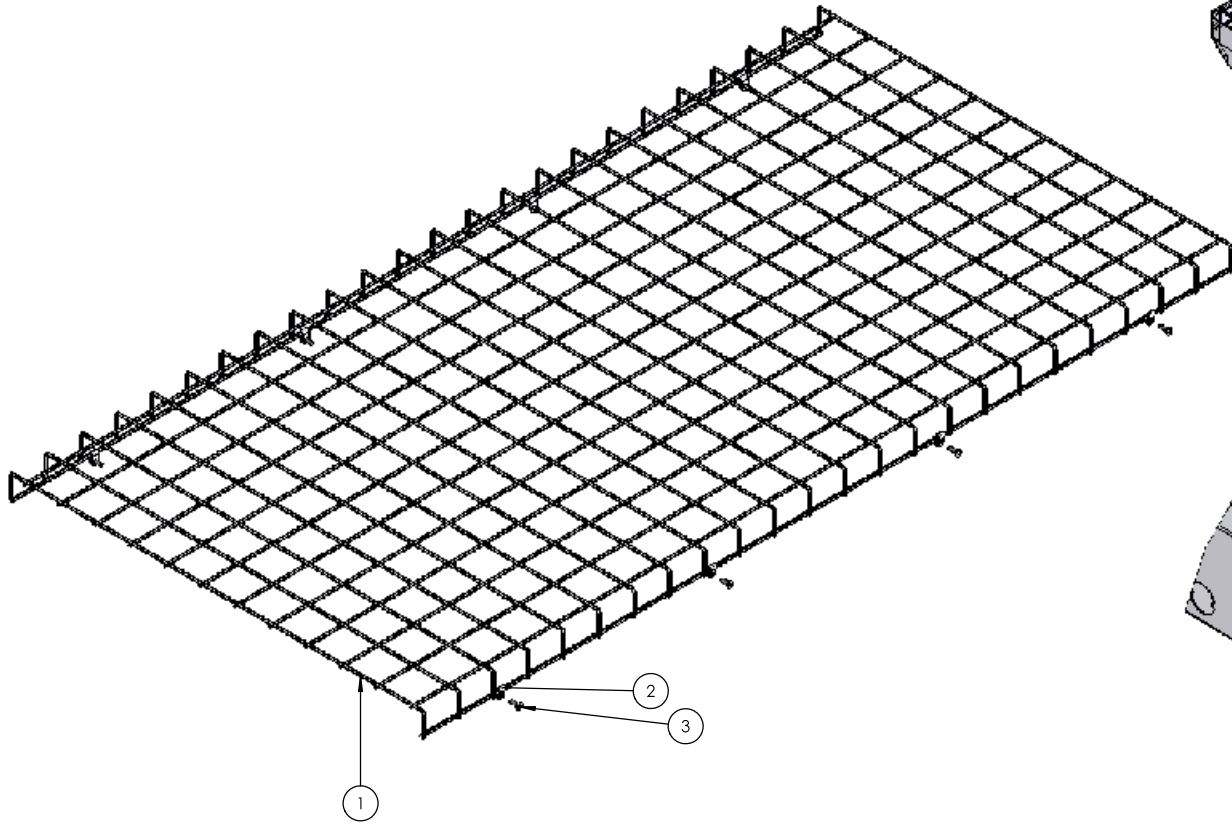


ITEM NO.	DESCRIPTION	FINISHED QTY.	RAW QTY.	PART NUMBER
1	236-T5/HO-6L-4 WIRE GUARD	1		6988
2	NYLON CLIP FOR .135 DIA. WIRE GUARD	8		5301
3	SCREW SELF DRILL #8-18 x 1/2" PHILLIPS PAN	8		1646

WIRE GUARD KIT INSTALLATION DIAGRAM



DETAIL A
SCALE 1 : 3