



# INSTALLATION AND ASSEMBLY INSTRUCTIONS

## 236 HIGH BAY FLUORESCENT LIGHTING FIXTURES

### WARNING!

1. TO PREVENT THE RISK OF ELECTRICAL SHOCK DEACTIVATE/DISCONNECT THE POWER SUPPLY BEFORE INSTALLING OR RELAMPING FIXTURE.
2. THIS FIXTURE SHOULD BE INSTALLED BY QUALIFIED TECHNICIANS IN STRICT ACCORDANCE WITH THE NATIONAL ELECTRICAL CODE AND ANY LOCAL REQUIREMENTS.
3. MIN 90° C SUPPLY CONDUCTORS

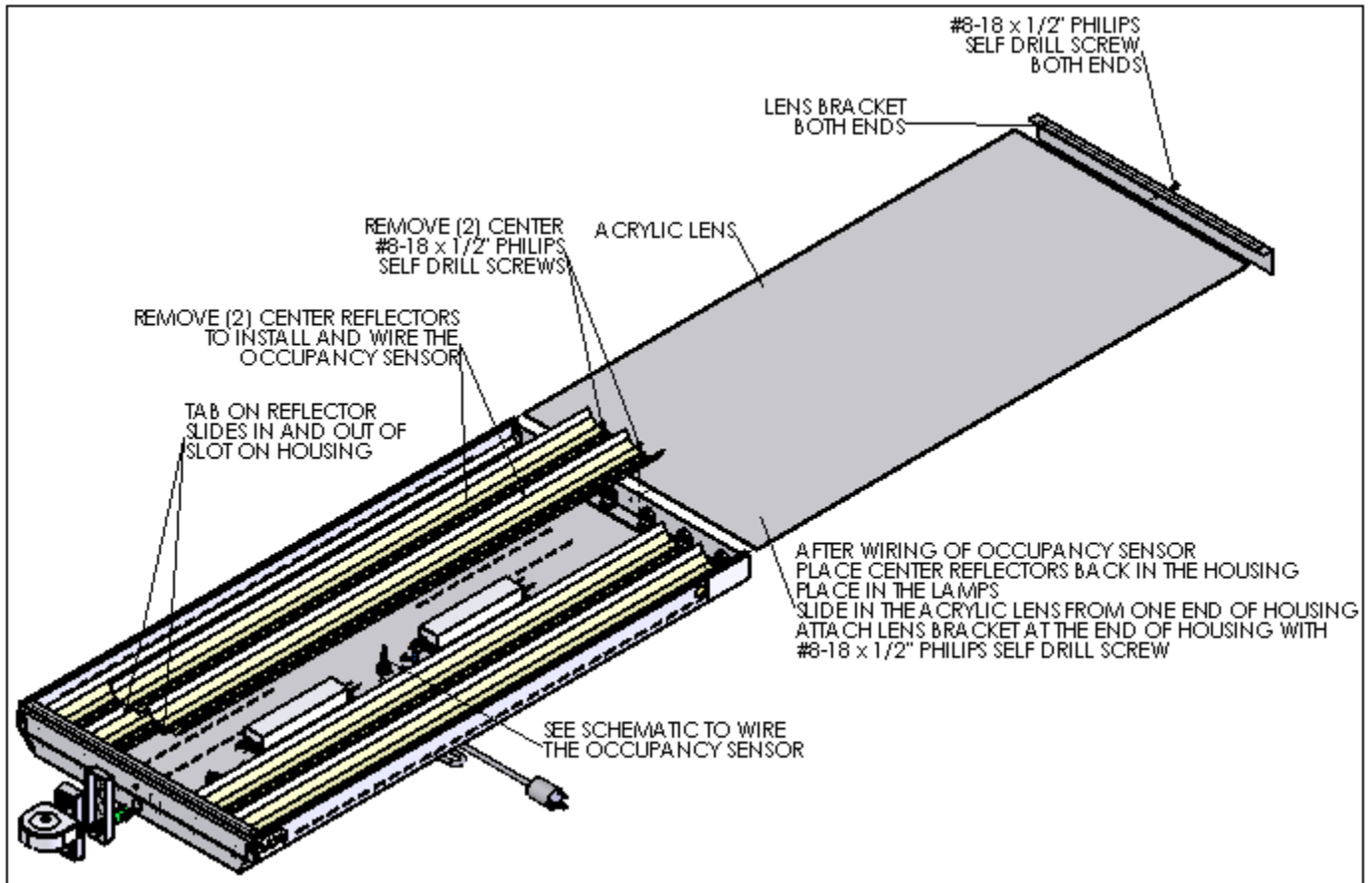
### INSTALLATION

1. BEFORE INSTALLING, MAKE SURE THAT THE CIRCUIT IS DEACTIVATED.
2. THIS FIXTURE REQUIRES SOME FINAL ASSEMBLY, SEE ASSEMBLY LAYOUT.
3. THE BALLAST IN THIS FIXTURE IS DESIGNED TO OPERATE ON GROUNDED NEUTRAL SYSTEMS ONLY.

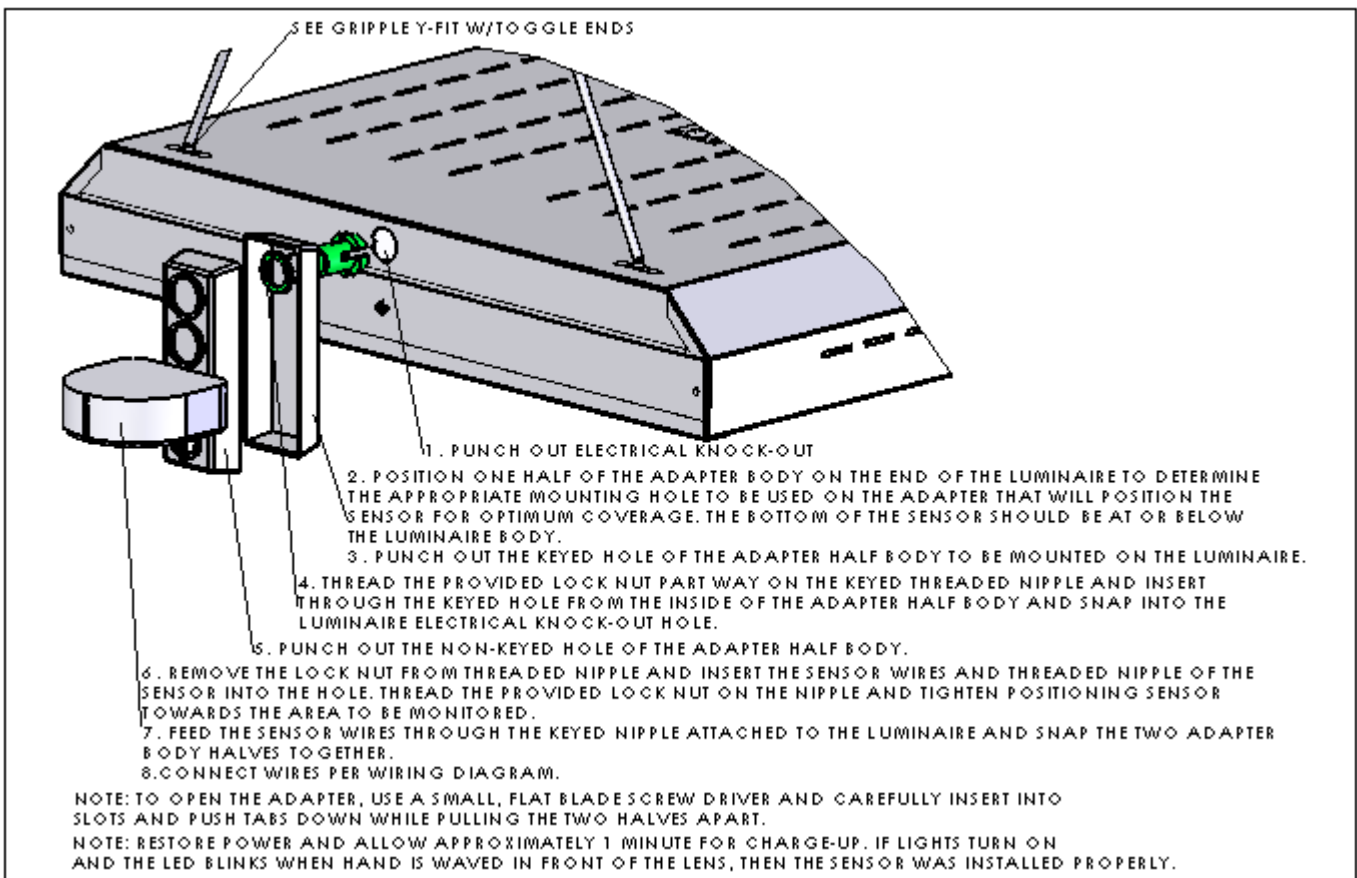


LDPI, Inc.  
Eau Claire, WI 54703  
TOLL FREE  
1-800-854-0021  
Web: [www.ldpi-inc.com](http://www.ldpi-inc.com)  
E-mail: [sales@ldpi-inc.com](mailto:sales@ldpi-inc.com)

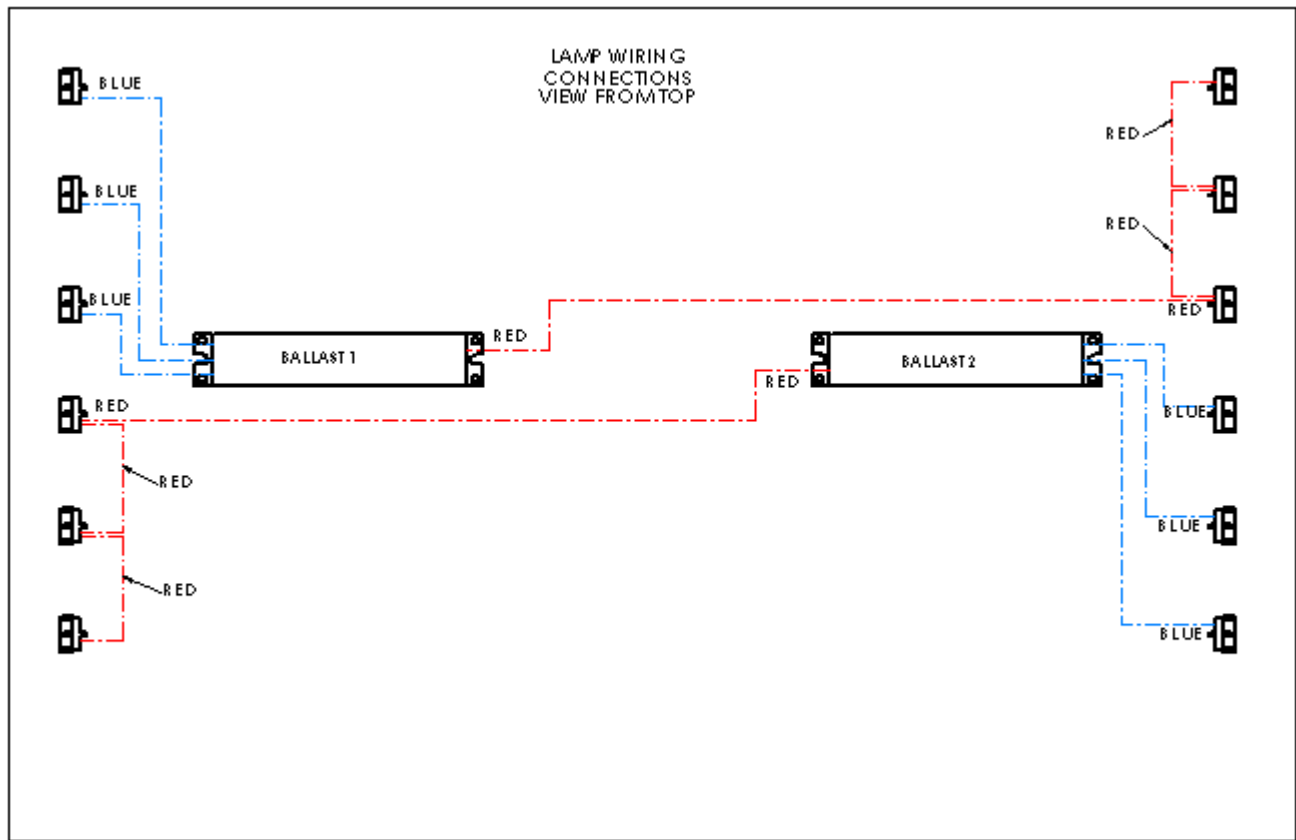
# ACCESS TO BALLAST



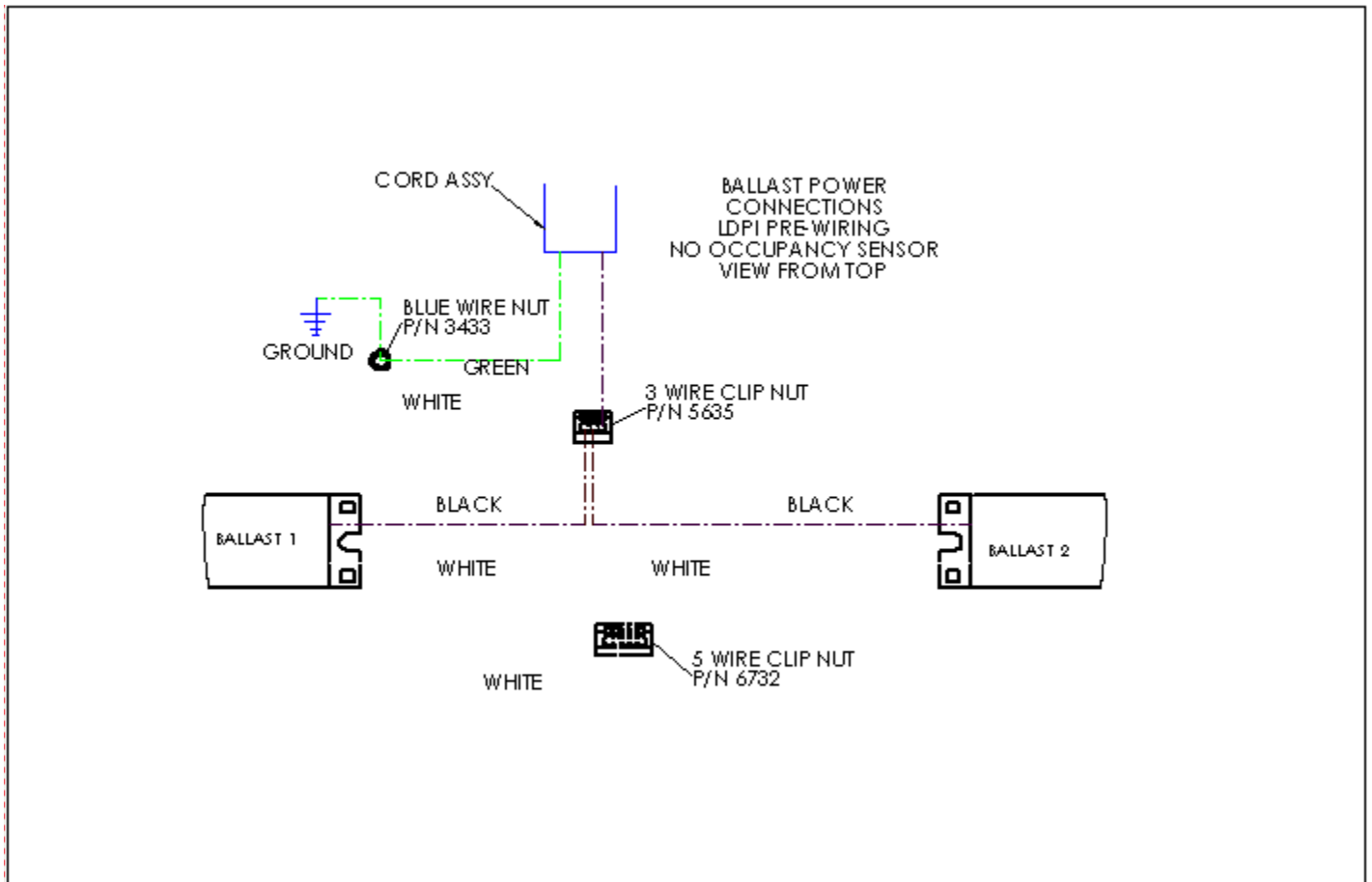
# OPTIONAL SENSOR ASSEMBLY



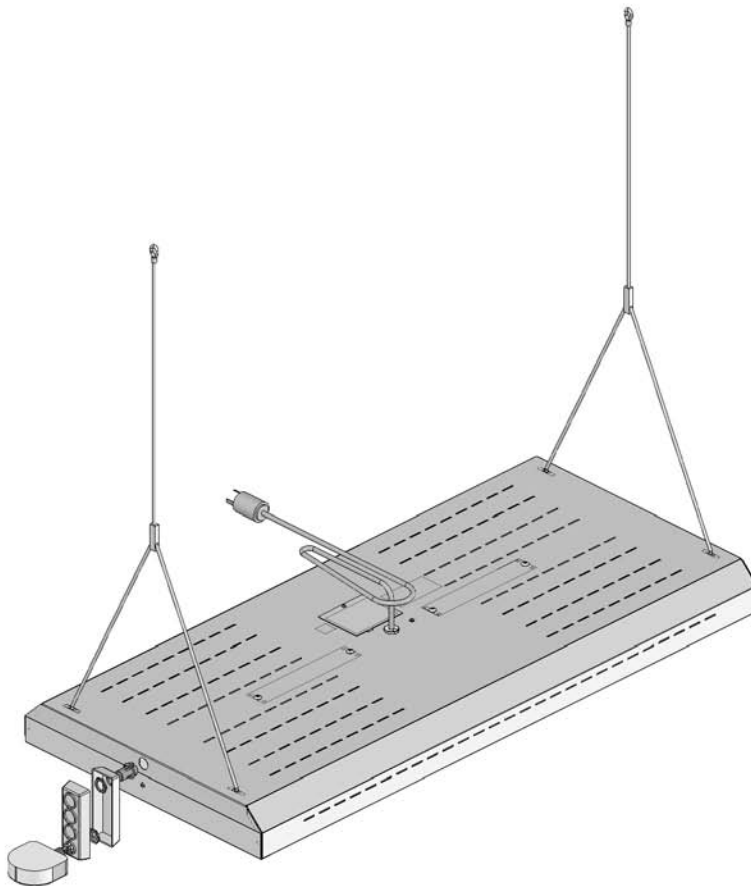
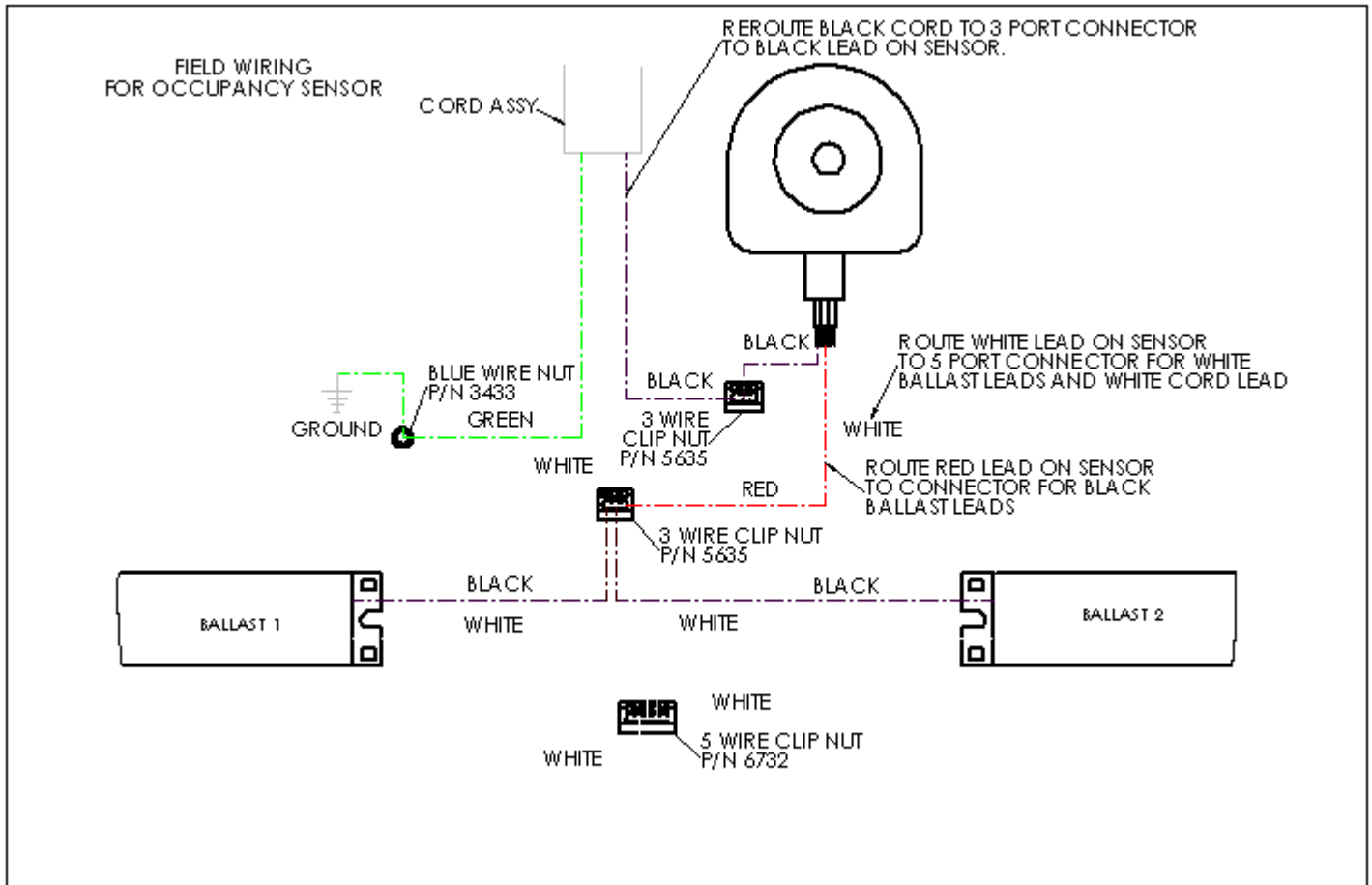
# LAMP WIRING



# CORD ASSEMBLY



# OPTIONAL SENSOR COMPLETE WIRING



LDPI, Inc.  
Eau Claire, WI 54703  
TOLL FREE  
1-800-854-0021  
Web: [www.ldpi-inc.com](http://www.ldpi-inc.com)  
E-mail: [sales@ldpi-inc.com](mailto:sales@ldpi-inc.com)