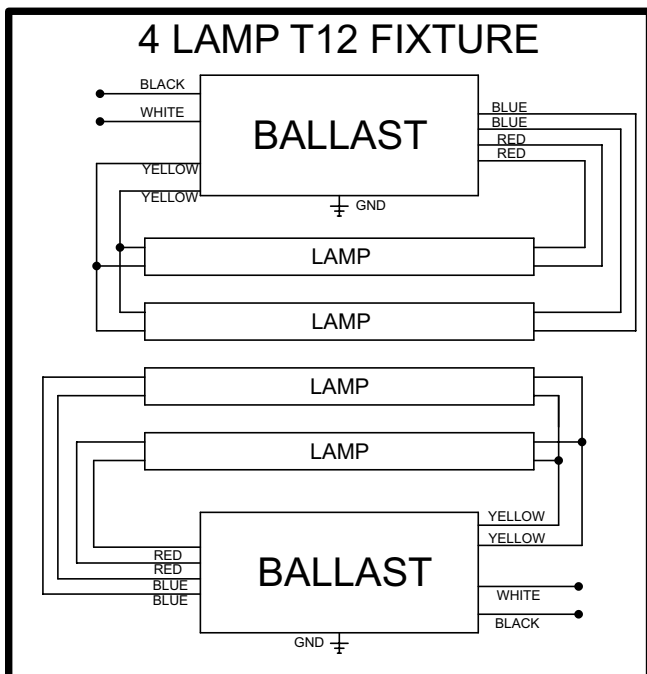
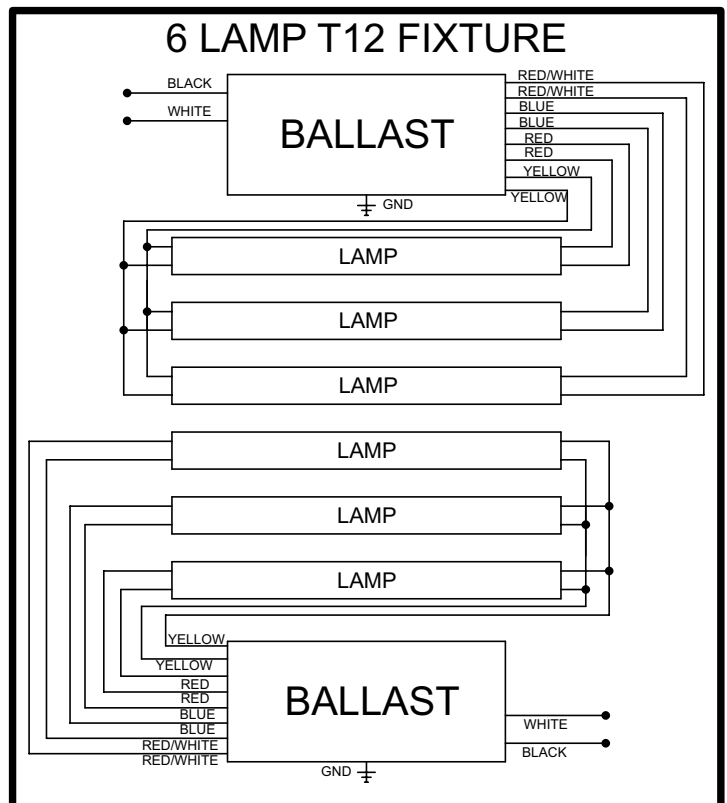
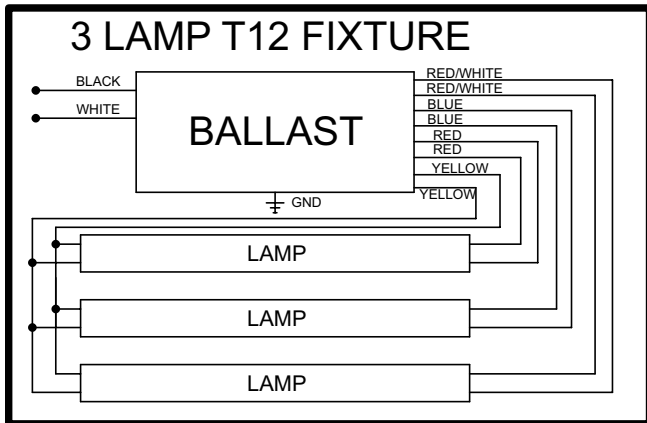
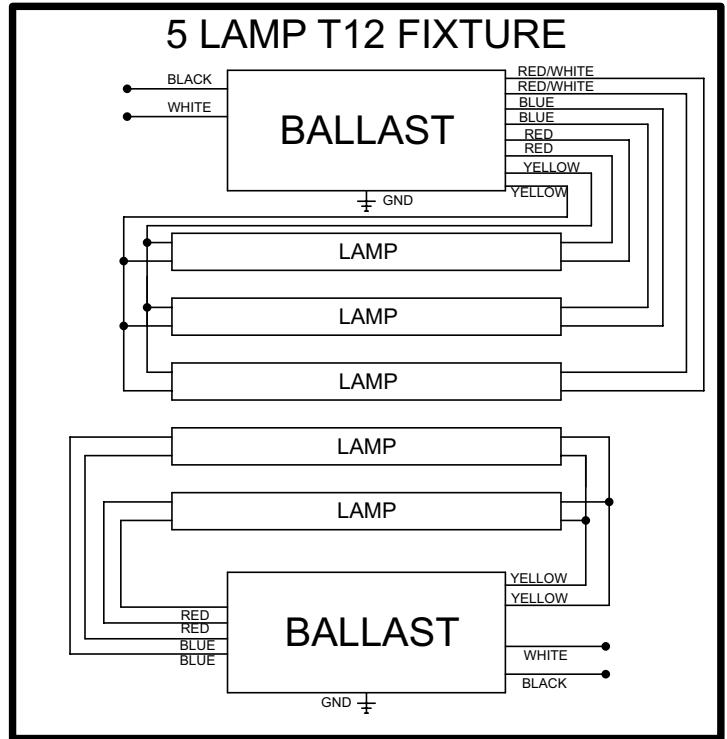
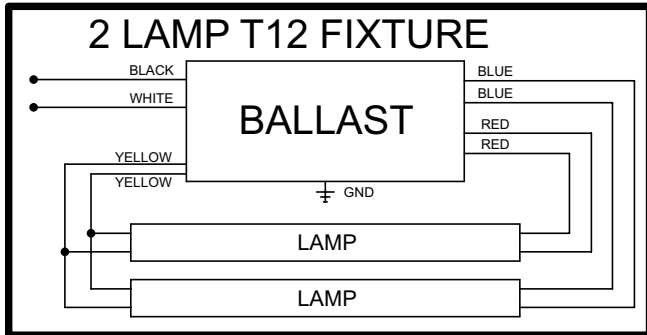


WIRING SCHEMATIC

NOTE: REFER TO DIAGRAM ON BALLAST WITH SPECIFIC WIRING DETAILS

THIS FIXTURE SHOULD BE INSTALLED BY QUALIFIED TECHNICIANS IN STRICT ACCORDANCE WITH THE NATIONAL ELECTRIC CODE AND ANY LOCAL REQUIREMENTS.

RAPID START BALLASTS



LDPI, Inc.
Eau Claire, WI 54703
Web: www.ldpi-inc.com

1-800-854-0021
E-mail: sales@ldpi-inc.com