

# INSTALLATION INSTRUCTIONS FOR 240 SERIES VERTICAL MOUNTING BRACKET KIT

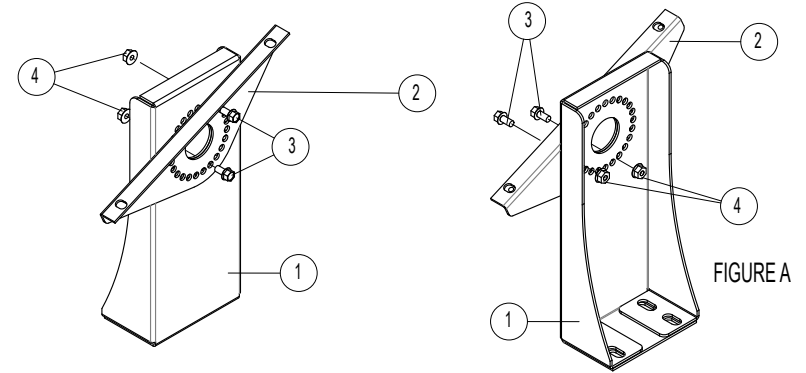
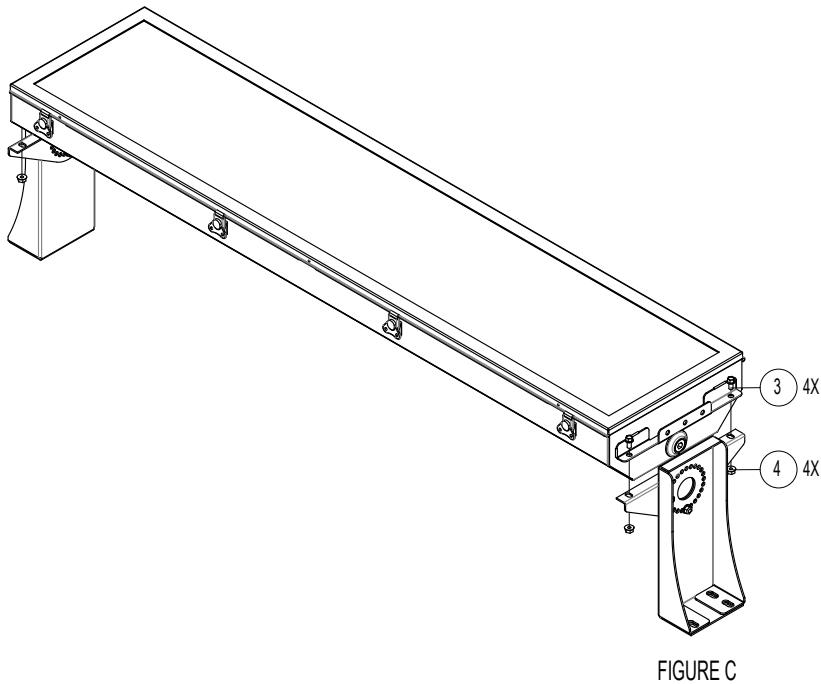
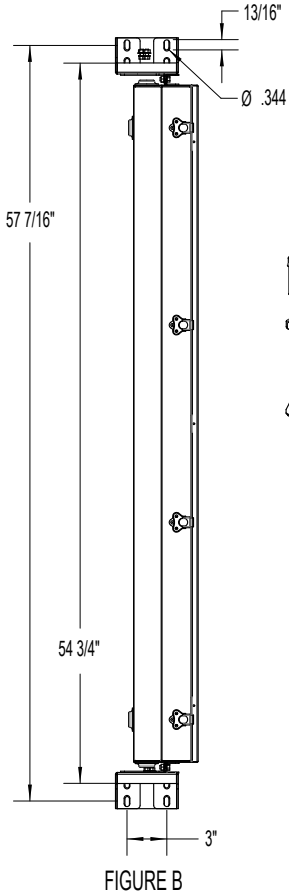
1) ASSEMBLE MOUNTING BRACKETS AS SHOWN IN FIGURE "A" USING THE SUPPLIED SPECIFIED FASTENERS. \*NOTE: TO EASE ASSEMBLY, SET MOUNTING ANGLE PRIOR TO MOUNTING BRACKETS.

2) MOUNT BRACKETS TO A STURDY STRUCTURE USING (8) 5/16" DIAMETER FASTENERS WITH WASHERS. MOUNTING HARDWARE IS NOT INCLUDED. REFER TO FIGURE "B" FOR HOLE DETAILS.

3) SET LIGHT FIXTURE ON LOWER WALL BRACKET. FASTEN TOP AND BOTTOM OF FIXTURE TO THE VERTICAL MOUNTING BRACKET FIXTURE PLATE USING THE SUPPLIED FASTENERS. REFER TO FIGURE "C" FOR DETAILS.

INSTALLATION IS COMPLETE.  
REFER TO FIXTURE INSTALLATION INSTRUCTIONS FOR ADDITIONAL FIXTURE INFORMATION.

ITEM NO.	DESCRIPTION	FINISHED QTY.	PART NUMBER
1	VERTICAL MOUNT WALL BRACKET	2	10347
2	VERTICAL MOUNTING BRACKET FIXTURE PLATE	2	10339
3	BOLT FLANGE 1/4-20 X 1/2 ZINC	8	1072
4	NUT WHIZLOCK 1/4-20	8	1089



TOP VIEW RECOMMENDED MAXIMUM FIXTURE ANGLES

