



# INSTALLATION, OPERATION AND MAINTENANCE INSTRUCTIONS

## LEHL2 LED HAZARDOUS LOCATION LIGHTING FIXTURES

**Class I Div. 2 (Grps A,B,C,D) / Class II Div. 1 (Grps E,F,G)  
Class II Div. 2 (Grps F,G) / Class III Div. 1**

### General Safety Information

To reduce the risk of death, personal injury or property damage from fire, electric shock, falling parts, cut/abrasions and other hazards, read all warnings and instructions included with and on the luminaire box and all luminaire labels.

Before installing, servicing or performing routine maintenance on this luminaire, follow these general precautions.

- Commercial installation, service and maintenance of luminaires should be performed by a qualified licensed electrician.
  - DO NOT INSTALL DAMAGED PRODUCT!
  - This luminaire is intended to be connected to a properly installed and grounded UL listed junction box.
  - Ensure the supply voltage is the same as the luminaire voltage.
  - Do not install in a location where the marked operating temperatures exceed the ignition temperatures of the hazardous atmosphere.
  - Do not operate in ambient temperatures above those indicated on the luminaire nameplate.
- All gasket seals must be clean and undamaged.

### **WARNING! RISK OF ELECTRICAL SHOCK**

- Turn off electrical power at fuse or circuit breaker box before wiring luminaire to the power supply.
- Turn off the power when any maintenance is performed.
- Verify that the supply voltage is the same as noted on the luminaire label
- All electrical and grounded connections must be in accordance with the National Electrical Code and any applicable local code and Hazardous location requirements.
- All wiring connections must be capped with UL approved wire connectors.
- Luminaire must be supplied by a wiring system with a equipment grounding conductor.

### **CAUTION! RISK OF INJURY AND FIRE**

- Wear gloves and safety glasses at all times when removing luminaire from carton, installing, servicing or performing maintenance.
- Avoid direct eye exposure to the light source when luminaire is turned on.
- Account for small parts and pieces of packing material as these may be hazardous to children.
- Keep combustible and flammable materials away from luminaire.
- Minimum 194°F (90°C) Supply Conductors

**MODELS:**

LEHL2 - 2 - 3 - 4 - 5 - 6 - 7

2 = Power/Wattage  
(L1=80W, L2=120W, L3=150W, L4=200W)

3 = Voltage (VAC)  
(V1=120-277VAC, V2=347-480VAC)

4 = LED Color Temperature (K)  
(3=3,000K, 4=4,000K, 5=5,000K, 57=5,700K, 65=6,500K, RD=Red, GN=Green, BU=Blue, AM=Amber)

5 = Optics/Beam  
(T1=Type I LED Diffuser, T3=Type III LED Diffuser, T5=110° (No Diffuser))

6= Lens Type  
(C=Clear Glass, D=Diffused Glass, DL=Drop Lens Glass, CP=Clear Poly, DP=Diffused Poly, PDL=Poly Drop Lens)

7 = Mount Type  
(P=Pendant / Ceiling Mount - 3/4" NPT)

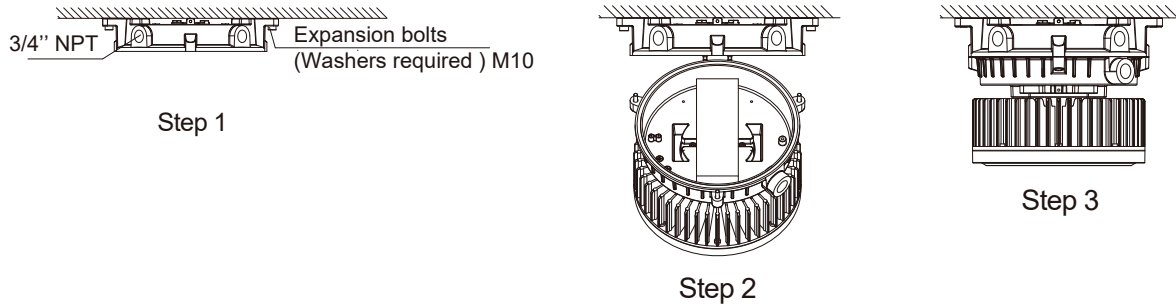


**Operating Characteristics**

Rated Voltage	Power	Model	Ambient Temp.
120V~277Vac	80W	LEHL2-L1-V1	-40°C to +65°C
	120W	LEHL2-L2-V1	
	150W	LEHL2-L3-V1	-40°C to +60°C
	200W	LEHL2-L4-V1	-40°C to +55°C
347V~480Vac	80W	LEHL2-L1-V2	-40°C to +65°C
	120W	LEHL2-L2-V2	
	150W	LEHL2-L3-V2	-40°C to +60°C
	200W	LEHL2-L4-V2	-40°C to +55°C

## Installation: Mechanical Connection

### 1. Ceiling



#### Step 1:

Mark and drill desired location on mounting surface. Secure the driver housing cover with (4) M10 expansion bolts (not provided) directly to a structural member. Thread onto a 3/4" NPT conduit.

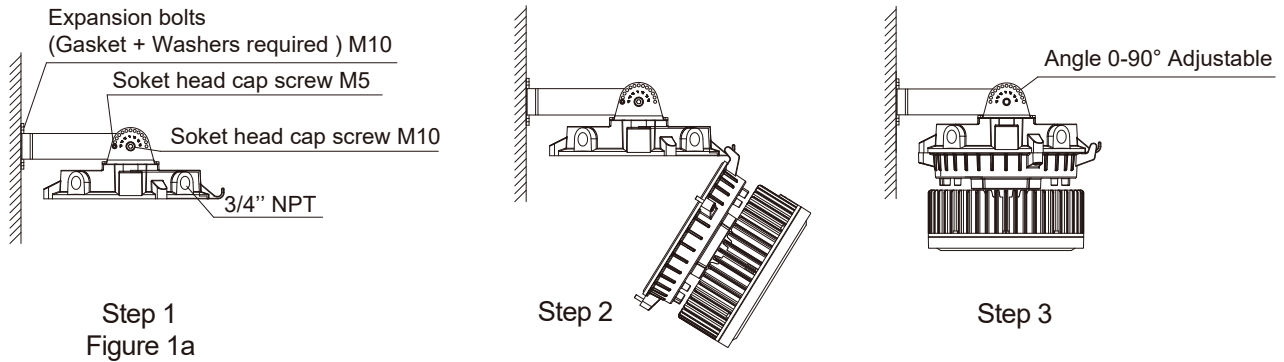
#### Step 2:

Hang the fixture onto the hinged hook of the driver housing cover. Connect supply wires to luminaire wire leads (or Wago connectors provided).

#### Step 3:

Close driver housing, making sure that all wires are safely tucked inside housing. Tighten (3) M6 captive closing screws to 6 N-m. Ensure NPT fittings are water tight to prevent water leakage.

### 2. Bracket



#### Step 1:

Secure the bracket and driver housing cover with (4) M10 expansion bolts (not provided) directly to a structural member, make sure the hinge is located as marked (See Figure 1a). Adjust the angle of the bracket (6x15°) and fix the position with M5 screws (provided).

#### Step 2:

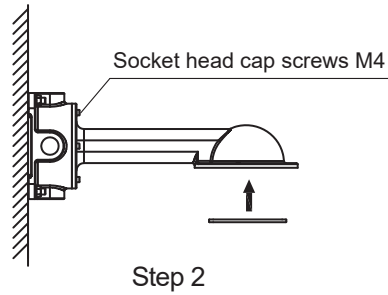
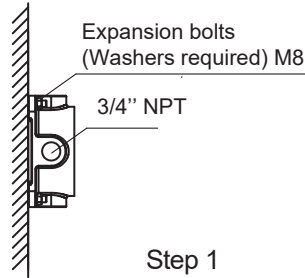
Hang the fixture onto the hinged hook of the driver housing cover. Connect supply wires to luminaire wire leads (or Wago connectors provided).

#### Step 3:

Close driver housing, making sure that all wires are safely tucked inside housing. Tighten (3) M6 captive closing screws to 6 N-m. Ensure NPT fittings are water tight to prevent water leakage.

## Installation: Mechanical Connection (Continued)

### 5. Wall - 90°

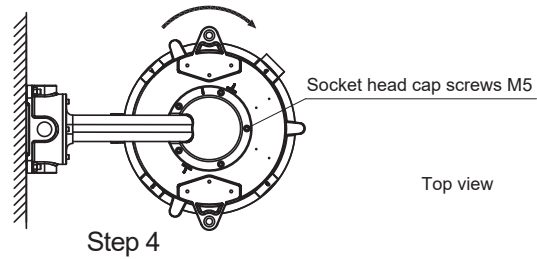
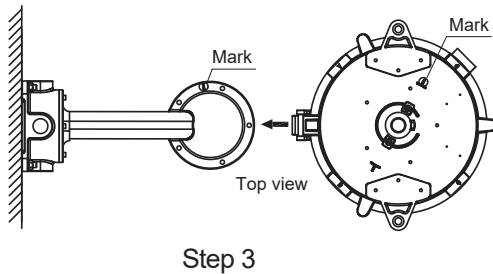


#### Step 1:

Mark and drill desired location on mounting surface. Secure the junction box (provided) with (4) M8 expansion bolts (not provided) directly to a structural member. Thread onto 3/4" NPT conduit.

#### Step 2:

Pull field wiring through into the wall mount adapter. Secure the adapter with (6) M4 screws (provided) directly to the junction box. Ensure adapter gaskets is properly seated in the groove.

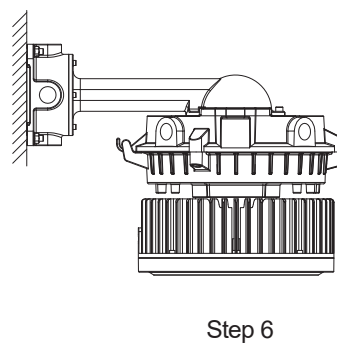
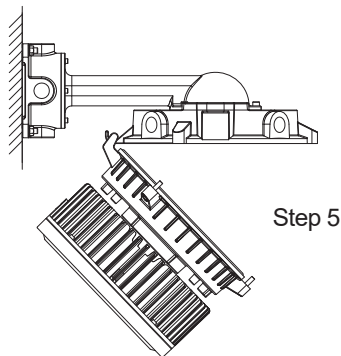


#### Step 3:

Hang the entire fixture onto the adapter. Align as marked on the housing.

#### Step 4:

Rotate the fixture clockwise and secure to the adapter with (5) M5 screws (provided) and torque to 5 N-m.



#### Step 5:

Unscrew the driver cover housing hood and connect supply wires to luminaire wire leads (or Wago connectors).

#### Step 6:

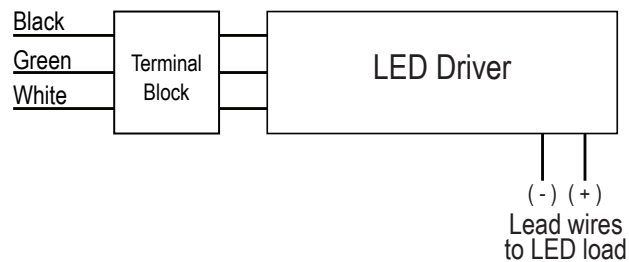
Close driver housing ensuring all wiring are inside the driver housing. Tighten (3) M6 captive screws to 6 N-m. Ensure NPT fittings are water tight to prevent water leakage.

## General Wiring Diagram

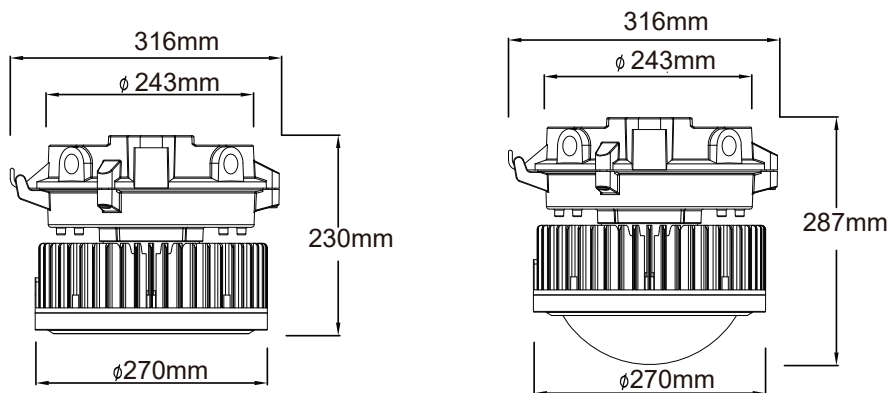
Caution! Turn off electrical power at fuse or circuit breaker box before wiring luminaire to the power supply. All luminaires must be individually connected to the AC power supply.

AC Input:           Black = Line  
                      White = Neutral  
                      Green = Ground

Dimming Control Wires: Gray (-)  
                                  Purple (0-10V input)  
                                  Yellow (+10V output)



## Product Dimensions

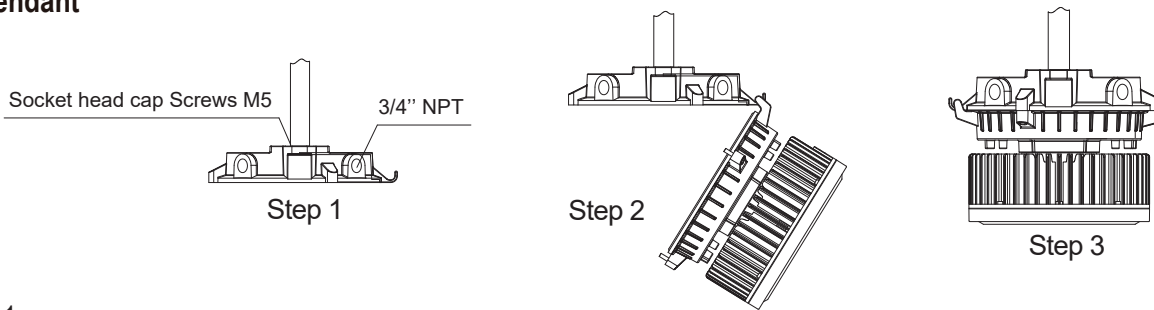


## Installation: Electrical Connection

1. Loosen (8) M6 hex bolts of driver housing at torque value 6 N-m.
2. Connect the housing to suitable conduit (3/4" NPT).
3. Insert outside wires through conduit and the entry hole of the housing and connect to terminal block.
4. Introduce the wires of the branch circuit as following:
  - Black - Connect to line
  - White - Connect to Neutral
  - Green - Connect to Ground
5. Re-attach housing cover with the (8) M6 hex bolts to the driver housing cover and torque to 6 N-m.
6. Check to ensure tightness of conduit and driver housing cover.

## Installation: Mechanical Connection (Continued)

### 3. Pendant



**Step 1:**

Thread the pendant hood onto the 3/4" NPT conduit. Tighten the M5 set-screw against the conduit to prevent loosening.

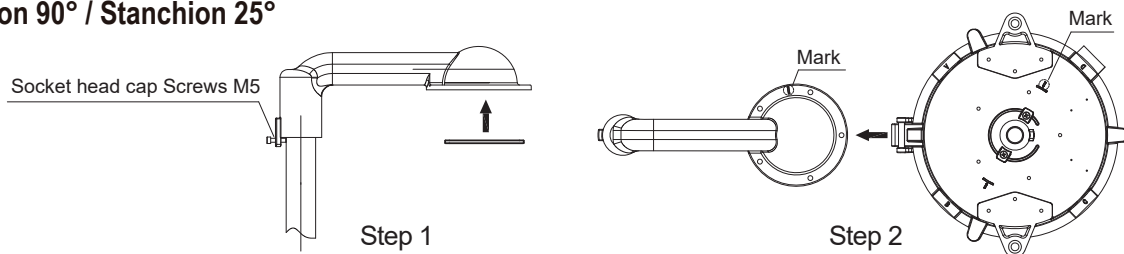
**Step 2:**

Hang the fixture onto the hinged hook of the driver housing cover. Connect supply wires to luminaire wire leads (or Wago connectors provided).

**Step 3:**

Close driver housing, making sure that all wires are safely tucked inside housing. Tighten (3) M6 captive closing screws to 6 N-m. Ensure NPT fittings are water tight to prevent water leakage.

### 4. Stanchion 90° / Stanchion 25°

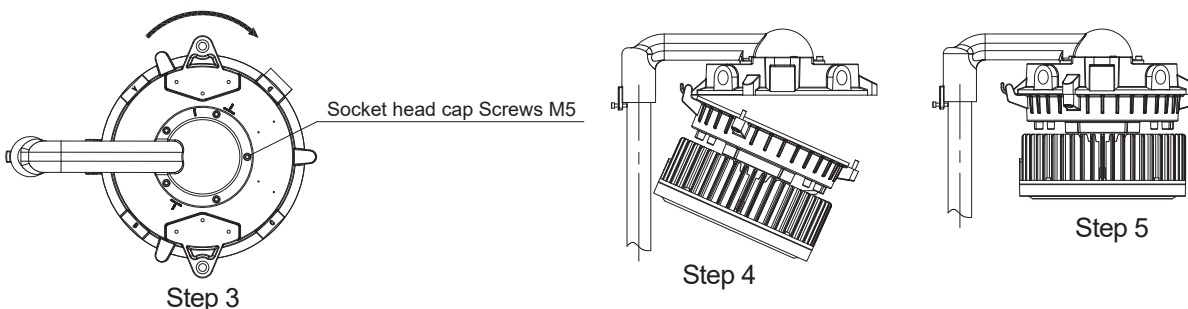


**Step 1:**

Securely thread the adapter onto the appropriate NPT size conduit. Determine the proper fixture orientation and tighten the M5 set screw. Ensure the adapter gasket is properly seated in the groove.

**Step 2:**

Hang the fixture onto the adapter. Align as marked on the housing.



**Step 3:**

Rotate the fixture clockwise and secure the adapter with (5) M5 screws (provided) and torque to 5 N-m.

**Step 4:**

Unscrew the hood and connect supply wires to luminaire wire leads (or Wago connectors).

**Step 5:**

Close driver housing ensuring all wiring are inside the driver housing. Tighten (3) M6 captive screws to 6 N-m. Ensure NPT fittings are water tight to prevent water leakage.

**Servicing**

- To avoid personal injury, disconnect power to the light and allow the unit to cool down before performing maintenance.
- Perform visual, electrical, and mechanical inspections on a regular basis. The environment and frequency of use will determine how often. However, it is recommended that inspections occur annually.
- The external lens should be cleaned periodically to ensure continued luminaire performance. Clean the lens with a clean, damp, non-abrasive, lint-free cloth. If this is not sufficient, use a mild soap or a liquid cleaner. Do not use an abrasive, strong alkaline or acid cleaner as damage may occur.
- Inspect the cooling fins of the luminaire to ensure that they are free of any contamination (i.e. excessive dust build-up). Clean with a non-abrasive cloth if needed.
- Check all moving parts and components to ensure they are properly assembled and in good operating order.
- Check all electrical connections to ensure all connections are clean and tight.

**Warranty**

We warrant that each of our LED lighting luminaire (the “Product(s)”) that are purchased while this Warranty is in effect will be free from defects in materials and workmanship for the period of time specified in the table below (the “Warranty Period”). The Warranty Period runs from the date of original purchase from its authorized distributor/dealer.

We will repair, or at our option, replace the defective product (exterior finish, housing and heat sinks, lens, LED engine, power supply) during the standard warranty period. This warranty applies only to the repair or replacement of the product and only when the product is properly handled, installed and maintained according to our instructions.

This warranty excludes defects resulting from improper installation, acts of God, fire, vandalism or civil disturbances, power surges or improper power supply, and corrosive environment installations.

This warranty does not cover equipment, systems or components from other manufacturers that the Purchaser uses in conjunction with the Product. Any repair, alteration or modification of the Product, including replacement of Product components with components of other manufacturers will void the warranty in its entirety.

<b>Product</b>	<b>Model Nos. Covered under this Warranty</b>	<b>Warranty Period</b>
<b>Explosion Protected LED Luminaire</b>	<b>LEHL2 Series</b>	<b>5 Years</b>