

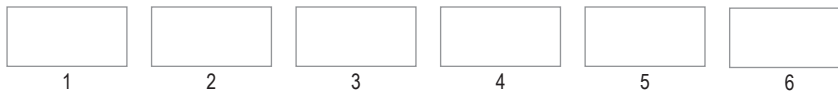


440 2x4

HAZARDOUS LIGHTING

Industrial • Oil / Gas • Drilling Rigs • Clean Rooms • Prep, Inspection, Sanding Areas

The 440 2x4 Series is a slim 4 1/4" product that is suited for use in clean room applications where a lay-in, recessed or surface mount troffer application is desired. This series comes in a 4 lamp configuration of T8 32W lamps, and utilizes a specular polished reflector system for increased light output. Lay-in fixture fits 2x4' grids with up to a 2" industrial "T-grid" suspension system. LAMPS SOLD SEPARATELY.



1 SERIES	2 LAMP TYPE	3 MOUNT	4 HOUSING
3904402X4	T: T8 32W	L: Lay-in* R: Recessed Flange/Box Panel (for use with kits 8363 and 3332) S: Surface Mount (for use with kit 8362)	PP: PrePaint PC: Powder Coat (Standard) AS: Aluminized Steel GS: Galvanized Steel
5 HUB	6 BALLAST	Notes: * Lay-in Mount is standard, other mounting options ordered separately.	
A, B, C or D See Hub Locations	3546: T8 120-277V, 50/60Hz		

LISTINGS

UL 844
 CSA 22.2 No. 137.0
 UL 1598 Wet / Damp
 CSA 22.2 No. 250.0
 Class I D2 Groups A,B,C,D T3C 160°C
 Class II D2 Groups F,G T3C 160°C
 40°C ambient rating

FEATURES

20 gauge enclosed, sealed and gasketed steel construction with post painted white powder coat finish.
 Front access troffer style: Lay-in fixture fits 2x4' grids with up to a 2" industrial "T-grid" suspension system.
 Standard lay-in Mounting

LENS

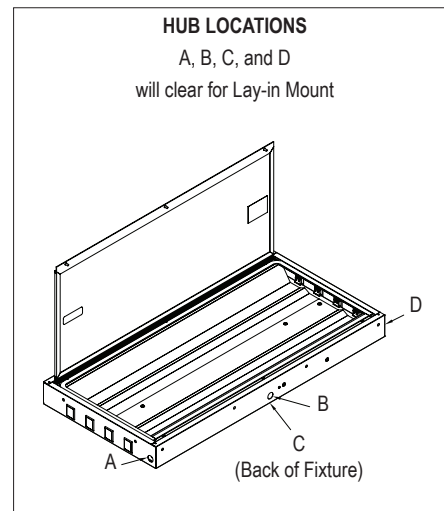
3/16" prismatic tempered glass lens.

ELECTRICAL

Available in 32 watts with T8 lamps
 120-277 Volts universal ballast

OPTIONS

EM: Emergency battery backup ballast
 120 or 277V - MUST SPECIFY
 5901: 8 Ft. 3-wire whip



440 2x4

HAZARDOUS LIGHTING

Industrial • Oil / Gas • Drilling Rigs • Clean Rooms • Prep, Inspection, Sanding Areas



DIMENSIONS

Dimensions are nominal and mounting is ordered separately.

Mounting Methods

Ceiling Lay-In for 2' X 4' Grid (standard)

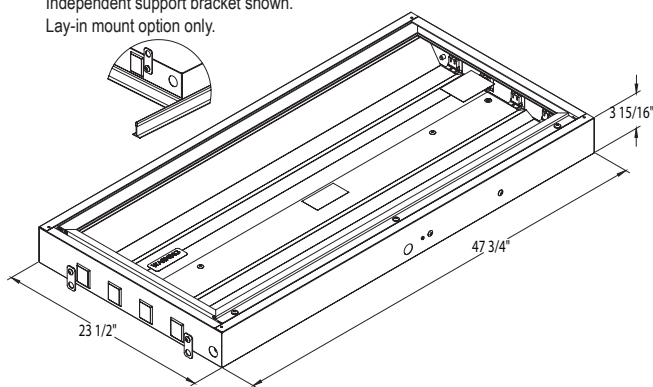
Surface Mount: Kit P/N 8362

Recessed Flange Mount: Kit P/N 8363

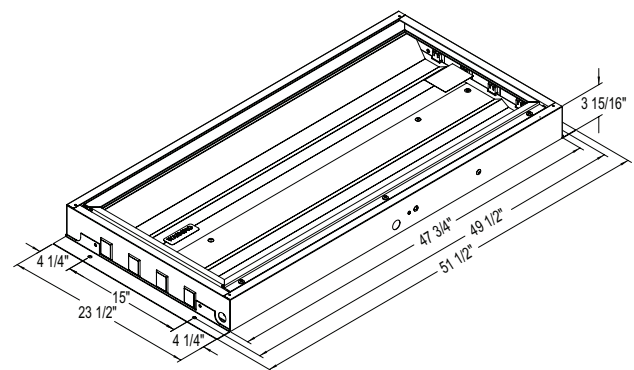
Box Panel Mount: Kit P/N 3332

LAY-IN MOUNT STANDARD

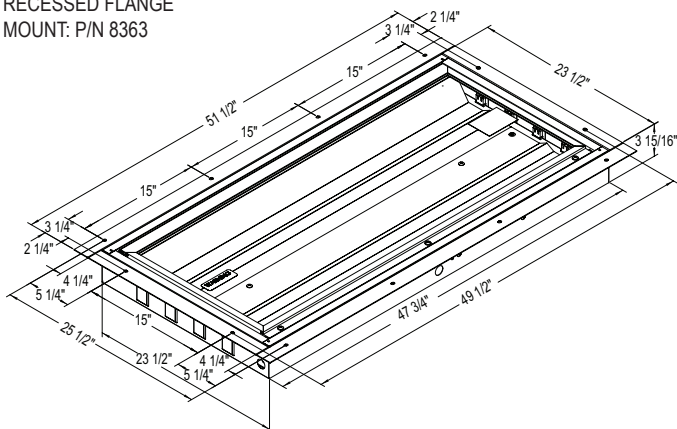
Independent support bracket shown.
Lay-in mount option only.



SURFACE MOUNT KIT P/N 8362



RECESSED FLANGE MOUNT: P/N 8363



BOX PANEL MOUNT P/N 3332

