



## INSTALLATION INSTRUCTIONS FOR 4 FT FRONT/ INSIDE ACCESS, 265 MA 32 WATT T8 4402X4 TROFFER SERIES FLUORESCENT LIGHT FIXTURES FOR CLEAN ROOMS

### WARNING!

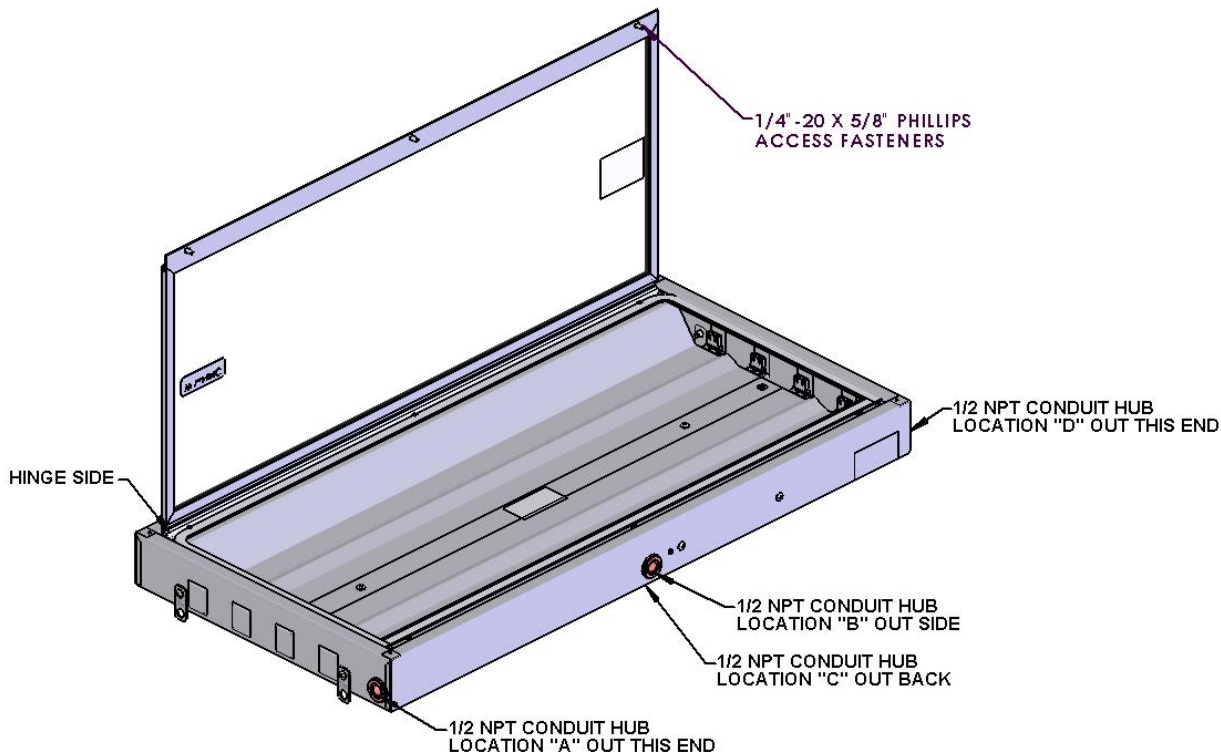
1. TO PREVENT THE RISK OF ELECTRICAL SHOCK DEACTIVATE/DISCONNECT THE POWER SUPPLY BEFORE INSTALLING OR RELAMPING FIXTURE.
2. THE BALLAST IN THIS FIXTURE IS DESIGNED TO OPERATE ON GROUNDED NEUTRAL SYSTEMS ONLY.
3. THIS FIXTURE SHOULD BE INSTALLED BY QUALIFIED TECHNICIANS IN STRICT ACCORDANCE WITH THE NATIONAL ELECTRICAL CODE AND ANY LOCAL REQUIREMENTS.

### OPERATIONAL DATA

1. Operate this fixture at its rated voltage. See fixture label for data. Do not install where the marked operating temperature exceeds the ignition temperature of the hazardous atmospheres.

### MAINTENANCE DATA

1. Although no routine maintenance is required to keep this fixture functional, it should be checked periodically to ensure that it is working properly and to look for any external damage.
2. For optimum performance, keep light transmission parts of fixture clean. Any commercial glass cleaner can be used to clean the glass.
3. To Relamp: disconnect supply circuit. Remove qty 3 fasteners from glass frame opposite side from hinge. The glass frame will swing open. Replace old lamp with new lamp. Close glass frame. Replace fasteners in glass frame to seal.
4. In the event of glass breakage, it will be necessary to replace the damaged glass frame assembly, in order to maintain the integrity of the fixture.



## LAY-IN MOUNT (STANDARD)

1. Install light fixture into Standard 2 FT x 4 FT ceiling mount T-GRID. Mount light fixture by laying it in the 2 ft. x 4 ft. opening of the T-Grid ceiling. No fasteners are required; fixture simply sits on the flange of the T-Grid. Cable or chain (not included) must be attached to the Cable/Chain Hang Brackets on the fixture to take the weight off the T-Grid.

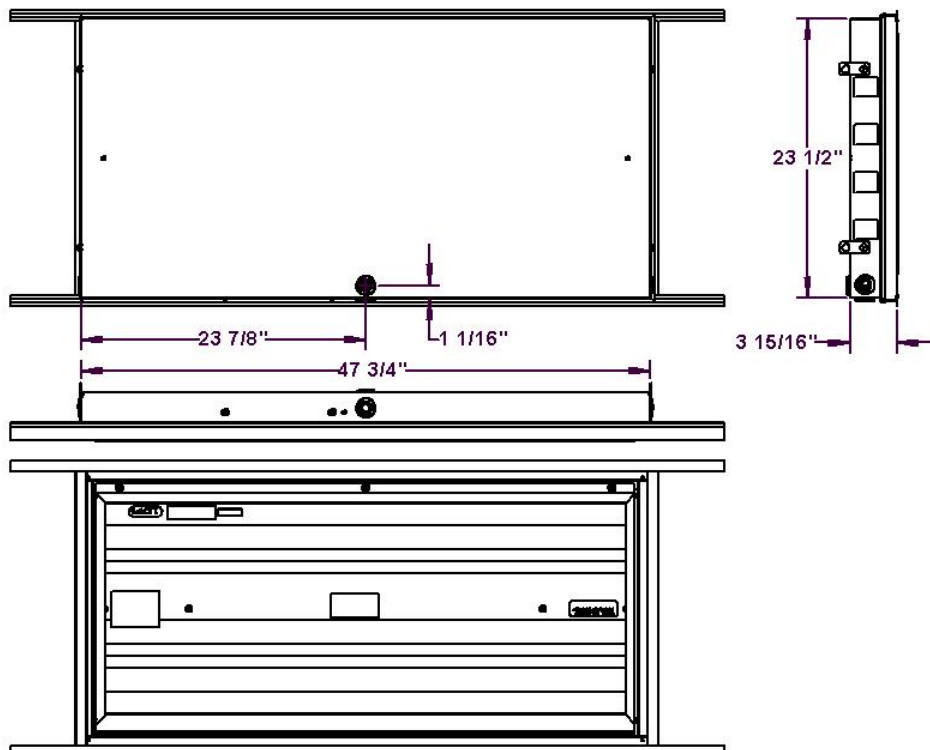
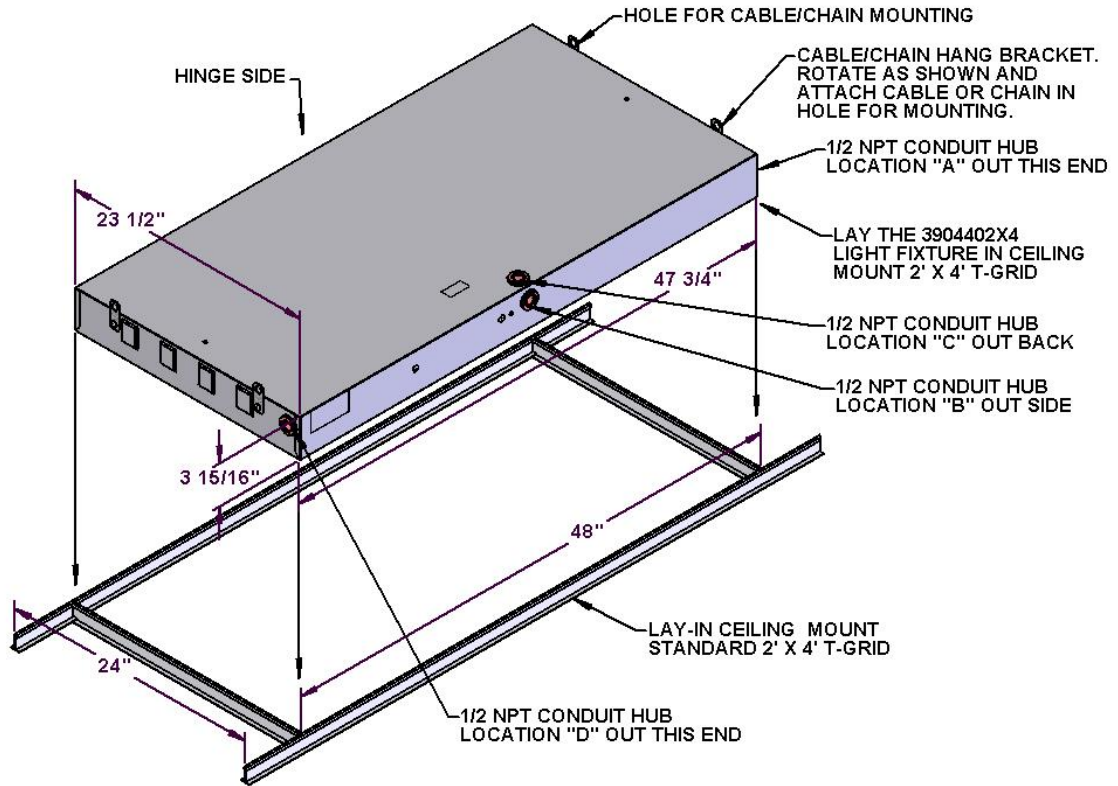
**NOTE:** If ceiling grid is 2 ft. x 2 ft., remove one T-Grid to make it a 2 ft. x 4 ft. opening.

2. Remove (3) 1/4"-20 x 5/8" Phillips access fasteners, open access door, install lamps, close access door and install 1/4"-20 x 5/8" Phillips access fasteners.

**NOTE:** When installing lamp – fixtures are rated for 32 watts T8 lamps only.

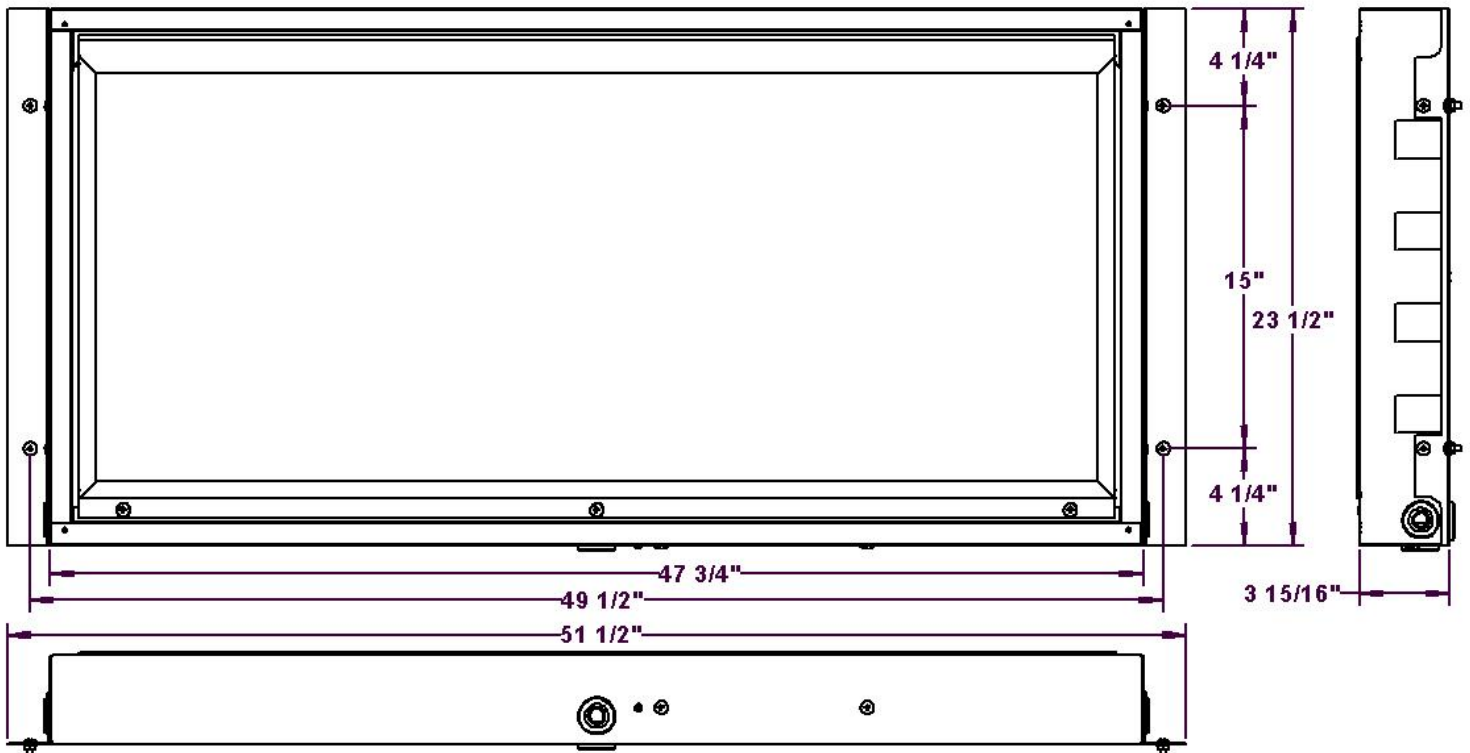
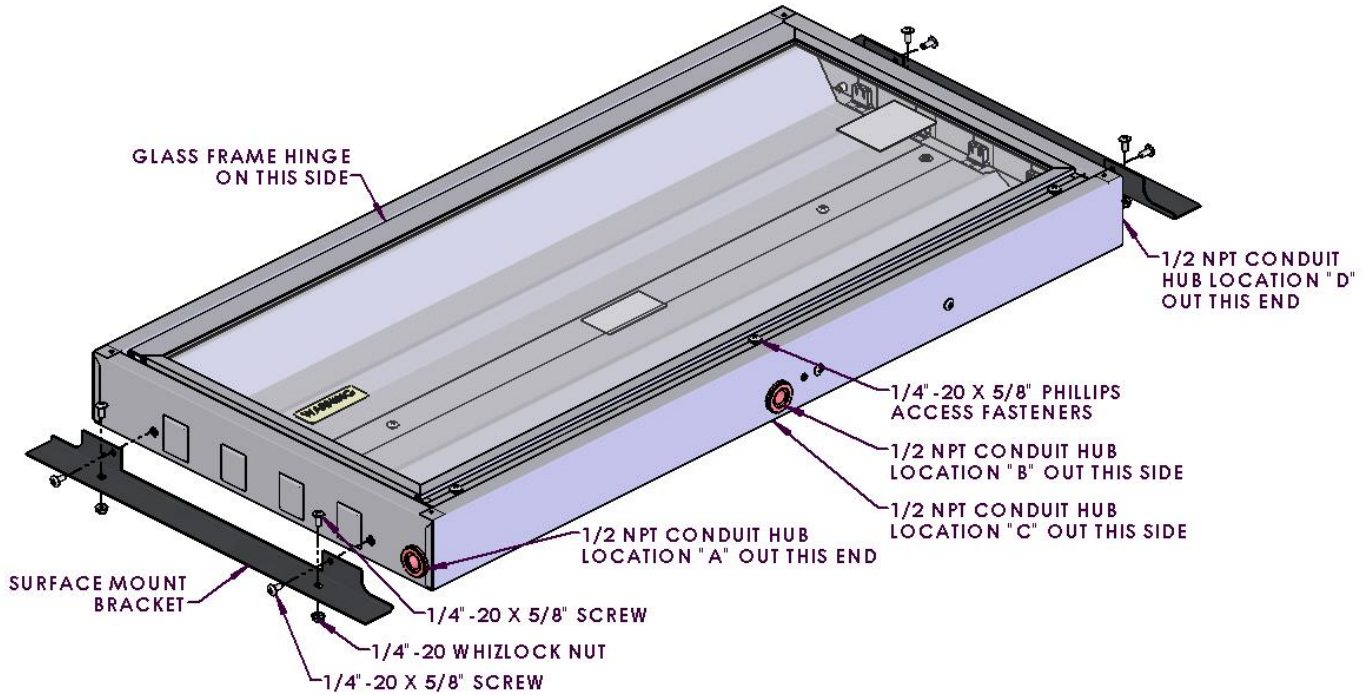
3. Wire fixture through conduit hub according to schematic on back of ballast.

4. Installation of light fixture into ceiling mount T-GRID is now complete.



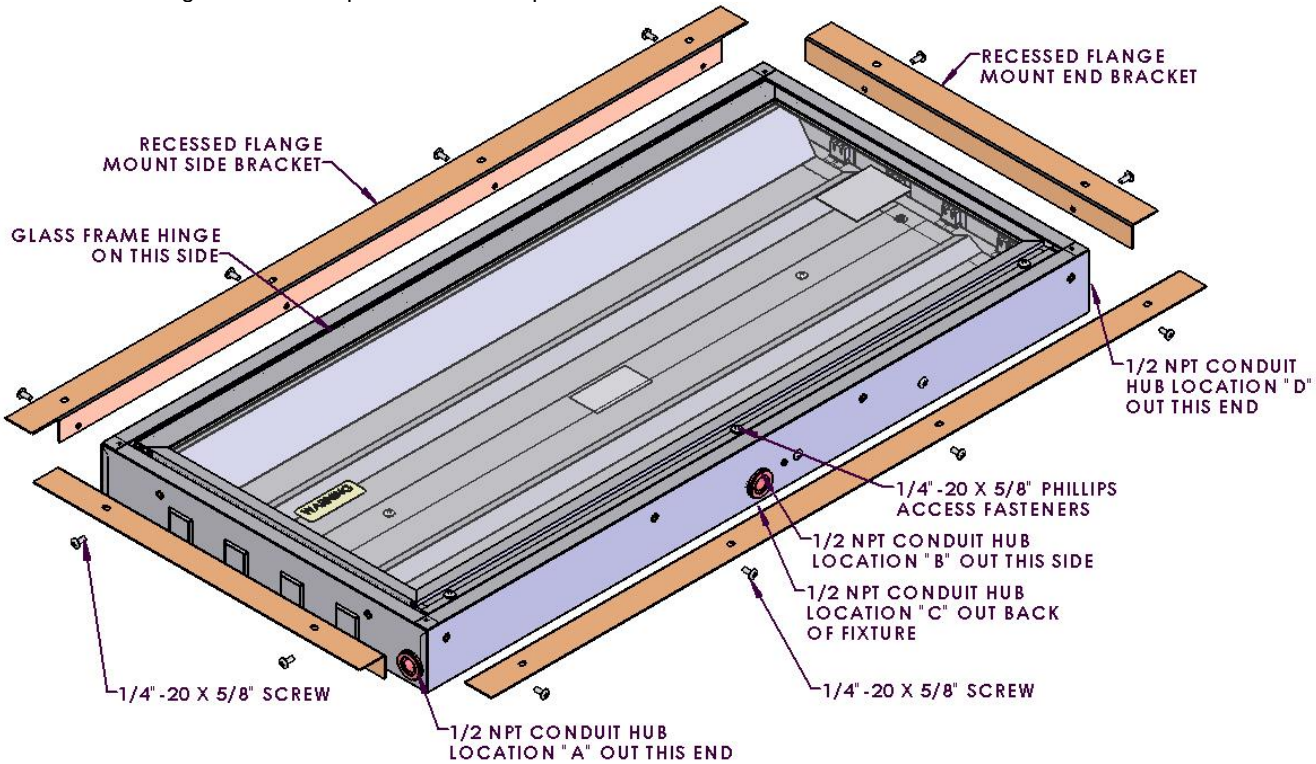
## **SURFACE MOUNT KIT P/N 8362**

1. Install mounting brackets on both ends of fixture with fasteners and secure to structure. Customer is responsible for providing any reinforcements needed for mounting.
2. Remove (3) 1/4"-20 x 5/8" Phillips access fasteners, open access door, install lamps, close access door and install 1/4"-20 x 5/8" Phillips access fasteners.  
**NOTE:** When installing lamp – fixtures are rated for 32 watts T8 lamps only.
3. Wire fixture through conduit hub according to schematic on back of ballast.
4. Installation of light fixture onto panel is now complete.

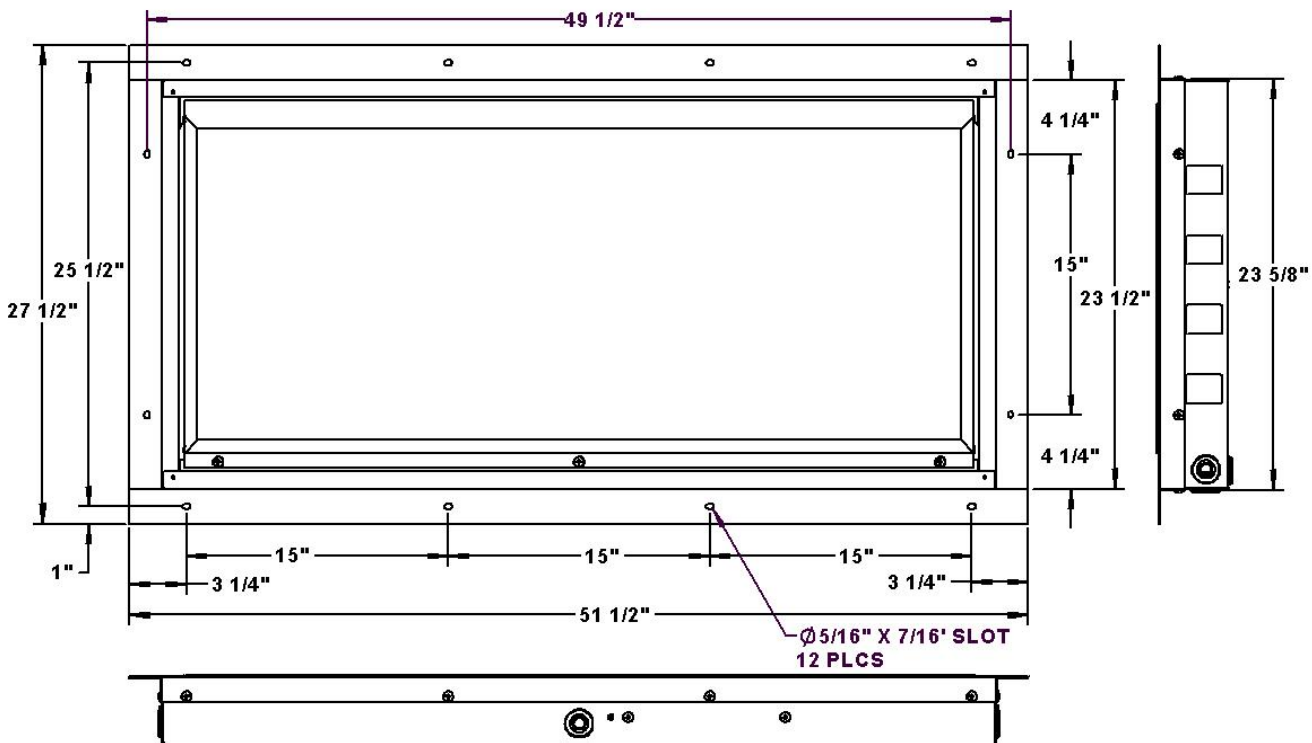


## RECESSED FLANGE MOUNT KIT P/N 8363

1. Install mounting brackets on both ends and both sides of fixture with fasteners and secure to structure. Customer is responsible for providing any reinforcements needed for mounting.
2. Remove (3) 1/4"-20 x 5/8" Phillips access fasteners, open access door, install lamps, close access door and install 1/4"-20 x 5/8" Phillips access fasteners.  
**NOTE:** When installing lamp – fixtures are rated for 32 watts T8 lamps only.
3. Wire fixture through conduit hub according to schematic on back of ballast.
4. Installation of light fixture onto panel is now complete.

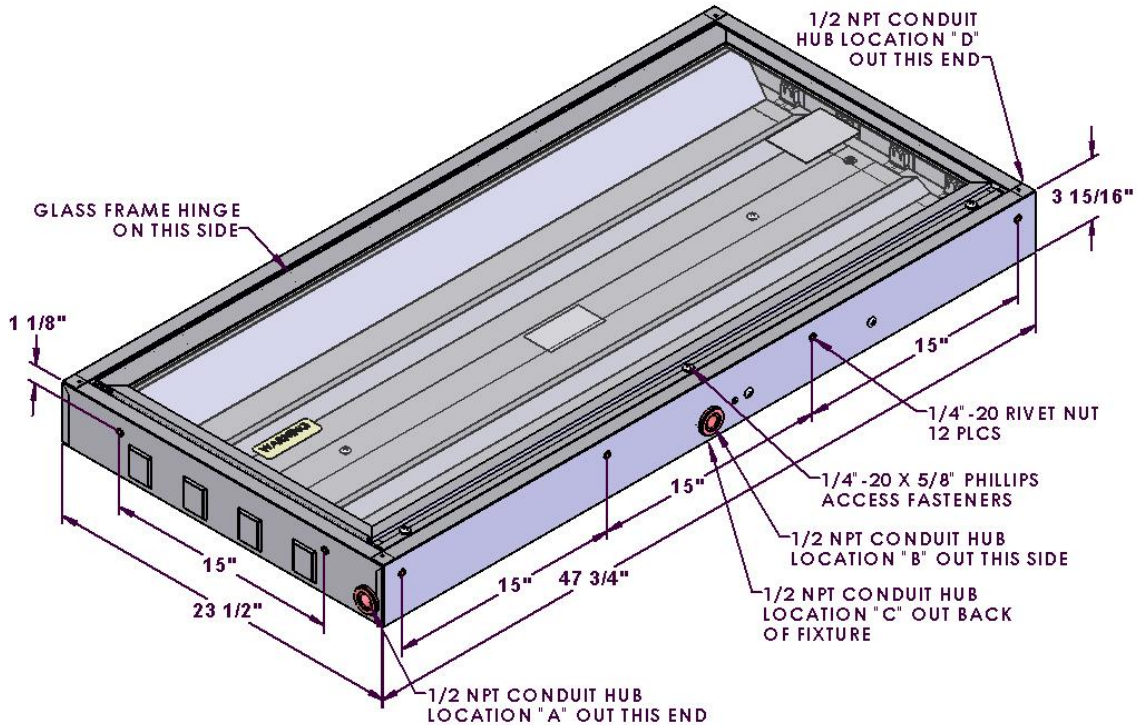


**NOTE Panel hole cut out:** Flange mounted from back side is 21 3/4"-24 1/2" wide X 46"-48 1/2" long  
or flange mounted from front side is 24 1/2" wide X 48 1/2" long.



## BOX PANEL MOUNT

1. Install light fixture by placing it in the 2 ft. x 4 ft. Box Panel opening. Secure to structure by mounting on both ends and both sides of fixture with 1/4"-20 fasteners (not included). Customer is responsible for providing any reinforcements needed for mounting.
2. Remove (3) 1/4"-20 x 5/8" Phillips access fasteners, open access door, install lamps, close access door and install 1/4"-20 x 5/8" Phillips access fasteners.  
**NOTE:** When installing lamp – fixtures are rated for 32 watts T8 lamps only.
3. Wire fixture through conduit hub according to schematic on back of ballast.
4. Installation of light fixture onto panel is now complete.



## WIRING SCHEMATIC FOR: 4 FT. 4 LAMP 32 WATT T8 INSTANT START FIXTURE

