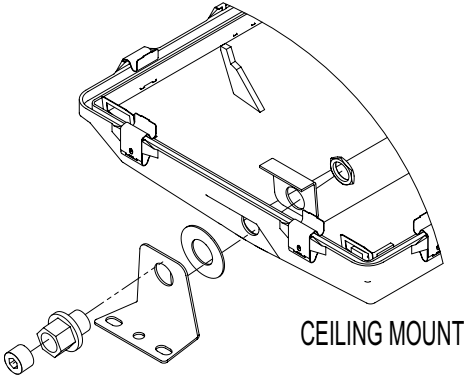
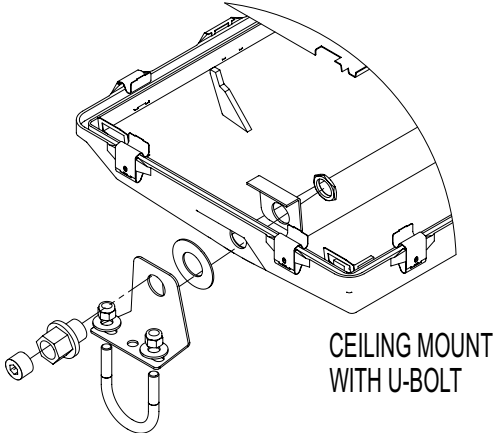


# ... INSTALLATION INSTRUCTIONS FOR 379 CEILING MOUNT ...

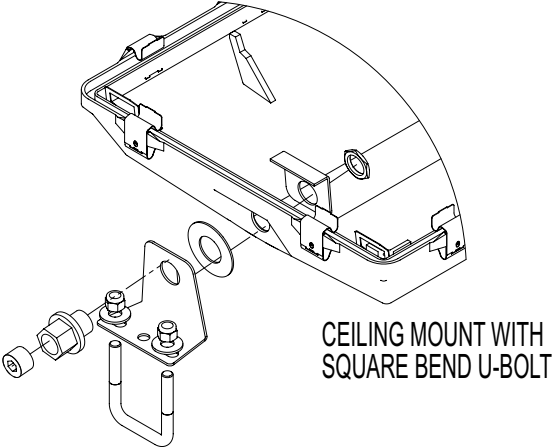
INSTALLATION DIAGRAMS FOR THE  
379 SERIES CEILING MOUNT KITS



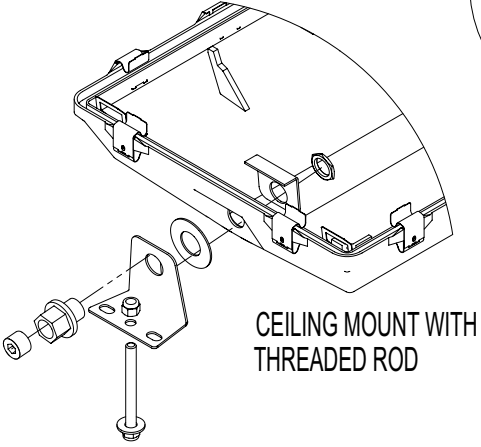
CEILING MOUNT



CEILING MOUNT WITH U-BOLT



CEILING MOUNT WITH SQUARE BEND U-BOLT



CEILING MOUNT WITH THREADED ROD

