

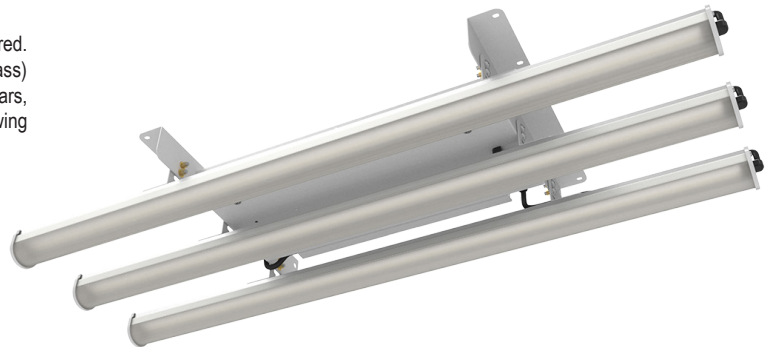


LE158S

ORDINARY LOCATION - SURFACE MOUNT

Industrial • Booth Lighting • Task Lighting • Commercial & Institutional Facilities

The LE158S is listed for ordinary locations where overhead lighting is required. This product is ideal for industrial, task, and paint booth (behind the glass) applications. Fixture size and output is determined by number of LED light bars, options range from 1 to 4. Each LED light bar is individually adjustable allowing for optimal illumination of any task.



| 1 SERIES | 2 SOURCE* | 3 VOLTAGE | 4 DIMMING* | 5 CCT | 6 LENS | 7 LENGTH | 8 ROWS |
|---|--|--|---|-------------------------------------|---|--|--|
| LE158S | S: Standard H: High *See Performance Table | V1: 120-277VAC (50/60Hz) | Blank: None D1: 0-10V (See Table A) D2: DALI (See Table B) *Cabling Ordered Separately | 3: 3,000K 4: 4,000K 5: 5,000K | D: Diffused | 2: 2 Ft. 4: 4 Ft. 6: 6 Ft. 8: 8 Ft. | 1: 1 Row 2: 2 Row 3: 3 Row 4: 4 Row |
| 9 THROUGH-FEED (TF) | | 10 POWER CORD (Not available w/ Through-feed) | | | 11 OPTIONS | | |
| Blank: No Through-Feed Wiring TF: Through-Feed Wiring (Requires H or T connector) *See through feed cable requirements * All fixtures containing TF are equipped with a 12in quick connect cable, cable type is dependent on dimming. | | Blank: No cord. Field wiring required. CP0: Cord 6 Ft. / Plug: None CP1: Cord 6 Ft. / Plug: NEMA L5-15P CP2: Cord 6 Ft. / Plug: NEMA L7-15P CP3: Cord 6 Ft. / Plug: NEMA 5-15P | | | EM: Battery/Driver Backup (90Min.) UL924** SP: 10Kv Surge Protector WC: Wireless Control OC: Occupancy Sensor **EM: 2FT & 4FT Single row fixtures contain larger housing - See dimension table | | |
| Note: - Quantity of power cords is determined by through-feed | | | | | | | |

CERTIFICATIONS

UL1598 / CSA 22.2 No.250.0 (Ordinary)
Lumen Maintenance (L70): >60,000 hrs. (reported)
CRI >80
-40°C to 40°C Ambient Rating

CONSTRUCTION

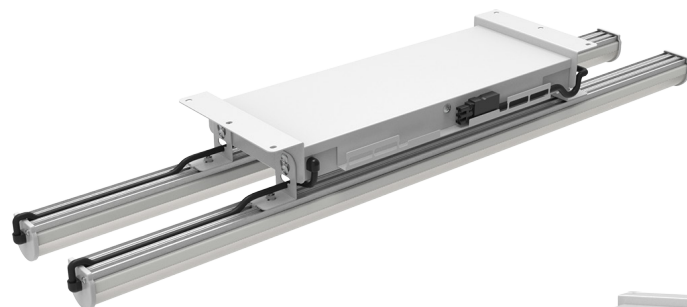
Combination of steel and aluminum
Powder coat white finish (standard)
Diffused acrylic impact resistant lens
Weights: See dimensions table

ELECTRICAL

120-277VAC
Power cords: 16/3, 600V
0-10V or DALI Dimming available

FEATURES

Sleek
Surface Mount
Cable Mount Ready
(Min. Clearance of 2" Required)
Adjustable module angle (±45°)



±45° LED module adjustment to direct the light. Adjustments are made in the field.



LE158S

ORDINARY LOCATION - SURFACE MOUNT

Industrial • Booth Lighting • Task Lighting • Commercial & Institutional Facilities



ELECTRICAL PERFORMANCE

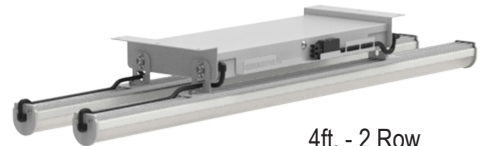
| Row | Source | 2 Ft. Fixture | | 4 Ft. Fixture | | 6 Ft. Fixture | | 8 Ft. Fixture | |
|-------|--------|---------------|------------------------------|---------------|------------------------------|---------------|------------------------------|---------------|------------------------------|
| | | Watts (W) | Input Current 120-277VAC (A) | Watts (W) | Input Current 120-277VAC (A) | Watts (W) | Input Current 120-277VAC (A) | Watts (W) | Input Current 120-277VAC (A) |
| 1 Row | S | 21 | 0.18 - 0.08 | 41 | 0.35 - 0.15 | 62 | 0.53 - 0.23 | 82 | 0.70 - 0.30 |
| | H | 32 | 0.27 - 0.12 | 63 | 0.53 - 0.23 | 95 | 0.80 - 0.35 | 126 | 1.07 - 0.46 |
| 2 Row | S | 41 | 0.34 - 0.15 | 82 | 0.68 - 0.30 | 123 | 1.03 - 0.44 | 164 | 1.37 - 0.59 |
| | H | 63 | 0.53 - 0.23 | 126 | 1.05 - 0.45 | 189 | 1.58 - 0.68 | 252 | 2.10 - 0.91 |
| 3 Row | S | 62 | 0.52 - 0.22 | 123 | 1.03 - 0.45 | 185 | 1.55 - 0.67 | 246 | 2.07 - 0.90 |
| | H | 95 | 0.79 - 0.34 | 189 | 1.58 - 0.69 | 284 | 2.38 - 1.03 | 378 | 3.17 - 1.37 |
| 4 Row | S | 82 | 0.68 - 0.30 | 164 | 1.37 - 0.59 | 246 | 2.05 - 0.89 | 328 | 2.73 - 1.18 |
| | H | 126 | 1.05 - 0.45 | 252 | 2.10 - 0.91 | 378 | 3.15 - 1.36 | 504 | 4.20 - 1.82 |

LUMEN PERFORMANCE

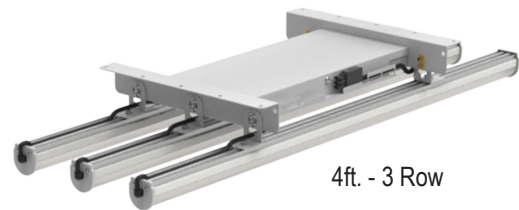
| Row | Source | CCT | Lumen Values (Diffused Lens) | | | |
|-------|--------|--------|------------------------------|-------|-------|-------|
| | | | 2Ft. | 4Ft. | 6Ft. | 8Ft. |
| 1 Row | S | 3,000K | 2580 | 5150 | 7730 | 10300 |
| | | 4,000K | 2630 | 5260 | 7890 | 10510 |
| | | 5,000K | 2660 | 5310 | 7970 | 10620 |
| | H | 3,000K | 3720 | 7440 | 11170 | 14890 |
| | | 4,000K | 3800 | 7600 | 11400 | 15200 |
| | | 5,000K | 3840 | 7680 | 11510 | 15350 |
| 2 Row | S | 3,000K | 5150 | 10300 | 15450 | 20600 |
| | | 4,000K | 5260 | 10510 | 15770 | 21030 |
| | | 5,000K | 5310 | 10620 | 15930 | 21240 |
| | H | 3,000K | 7440 | 14890 | 22330 | 29780 |
| | | 4,000K | 7600 | 15200 | 22790 | 30390 |
| | | 5,000K | 7680 | 15350 | 23030 | 30700 |
| 3 Row | S | 3,000K | 7730 | 15450 | 23180 | 30900 |
| | | 4,000K | 7890 | 15770 | 23660 | 31540 |
| | | 5,000K | 7970 | 15930 | 23900 | 31860 |
| | H | 3,000K | 11170 | 22330 | 33500 | 44670 |
| | | 4,000K | 11400 | 22790 | 34190 | 45590 |
| | | 5,000K | 11510 | 23030 | 34540 | 46050 |
| 4 Row | S | 3,000K | 10300 | 20600 | 30900 | 41210 |
| | | 4,000K | 10510 | 21030 | 31540 | 42060 |
| | | 5,000K | 10620 | 21240 | 31860 | 42480 |
| | H | 3,000K | 14890 | 29780 | 44670 | 59560 |
| | | 4,000K | 15200 | 30390 | 45590 | 60790 |
| | | 5,000K | 15350 | 30700 | 46050 | 61400 |



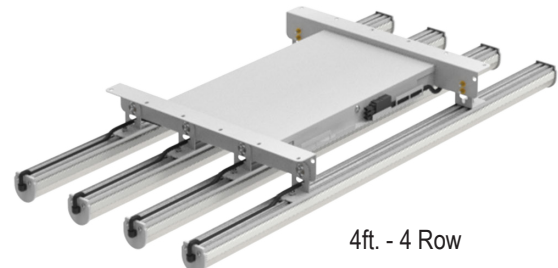
4ft. - 1 Row



4ft. - 2 Row



4ft. - 3 Row



4ft. - 4 Row



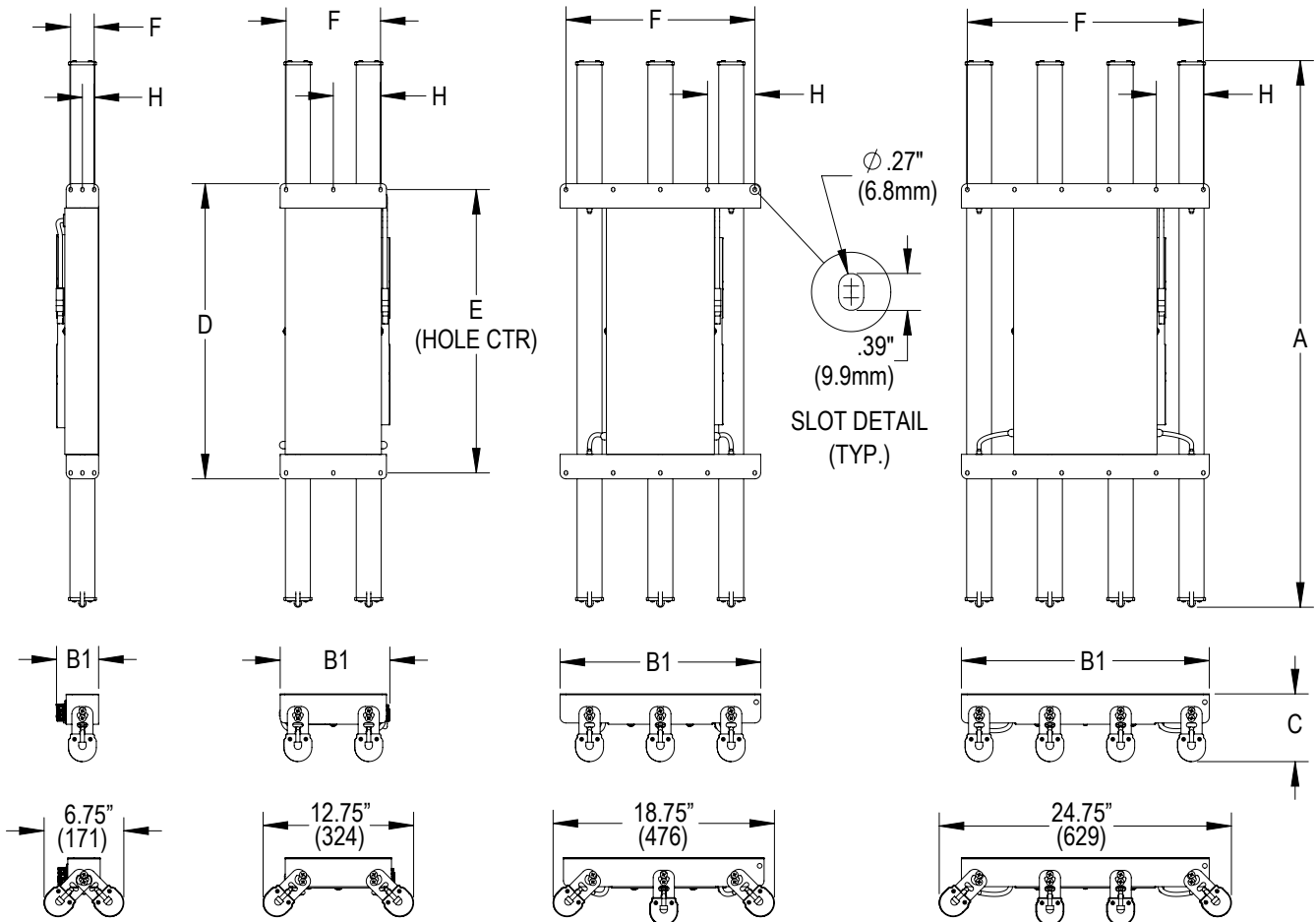


LE158S

ORDINARY LOCATION - SURFACE MOUNT

Industrial • Booth Lighting • Task Lighting • Commercial & Institutional Facilities

DIMENSIONS



| Fixture | # of rows | Nominal Dimensions in. (mm) | | | Weight (lbs.) |
|---------|-----------|-----------------------------|--------------|----------------|---------------|
| | | A | B1 | C | |
| 2 Ft. | 1 | 23.19" (589) | 3.63" (92) | 5.75" (146) | 9 |
| | 2 | | 9.25" (235) | | 14 |
| | 3 | | 17.0" (432) | | 19 |
| | 4 | | 21.0" (533) | | 23 |
| 4 Ft. | 1 | 46.38" (1,178) | 3.63" (92) | 6.0" (152) | 14 |
| | 2 | | 9.25" (235) | | 21 |
| | 3 | | 17.0" (432) | | 28 |
| | 4 | | 21.0" (533) | | 35 |
| 6 Ft. | 1 | 69.56" (1,767) | 6.25" (159) | 6.0" (152) | 21 |
| | 2 | | 12.75" (324) | | 32 |
| | 3 | | 17.75" (451) | | 42 |
| | 4 | | 21.75" (552) | | 53 |
| 8 Ft. | 1 | 91.0" (2,311) | 6.25" (159) | 6.0" (152) | 30 |
| | 2 | | 12.75" (324) | | 45 |
| | 3 | | 17.75" (451) | | 60 |
| | 4 | | 21.75" (552) | | 74 |

| EM Fixture | # of rows | Emergency Fixture Dimensions | | | Weight (lbs.) |
|------------|-----------|------------------------------|------------|-------------|---------------|
| | | A | B1 | C | |
| 2 Ft. | 1 | 23.19" (589) | 5.9" (150) | 5.75" (146) | 10 |
| 4 Ft. | | | | | 15 |

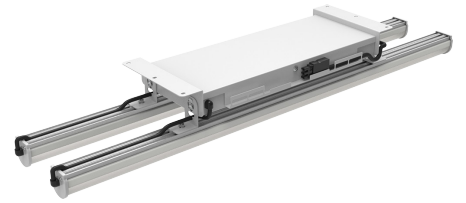
| Mounting Dimensions | | | | | |
|---------------------|-----------------------------|----------------|-------------|-------------|------------|
| # of rows | Nominal Dimensions in. (mm) | | | | |
| | D | E | F | G | H |
| 1 | 25.0" (635) | 24.0" (610) | 2.0" (51) | 2.0" (51) | 1.0" (25) |
| 2 | | | 8.0" (203) | 8.0" (203) | 4.0" (102) |
| 3 | | | 16.0" (406) | 8.0" (203) | |
| 4 | | | 20.0" (508) | 12.0" (305) | |



LE158S

ORDINARY LOCATION - SURFACE MOUNT

Industrial • Booth Lighting • Task Lighting • Commercial & Institutional Facilities



POWER / CABLING (NO CORD "BLANK")

Conduit Connection

1/2" MC Set screw connector
No Cord / Field Wiring Required

D1 (0-10V Dimming)

Field Wiring Required.
Dimming cables ordered separately

POWER / CABLING (CPO CORD OPTION)

No Dimming / No Through-Feed

6 Ft. Cord (16/3), Blunt end

POWER / CABLING (CP1 TO CP3 CORD / PLUG OPTIONS)

| CP1 - CP3 Cord | Cord: CP1 | Cord: CP2 | Cord: CP3 |
|--|------------|------------|-----------|
| | | | |
| 6 Ft. Cord (16/3) with CP1 to CP3 specified plug | NEMA L5-15 | NEMA L7-15 | NEMA 5-15 |

THROUGH FEED CABLE REQUIREMENTS

| Power cables (to power the first fixture in the series when through feed is used) | | |
|---|--------|------------------------------------|
| Mfg # | Cord # | Description |
| 17055 | CP1 | 6 Ft. Cable, 14/3, 120V NEMA L5-15 |
| 17103 | CP2 | 6 Ft. Cable, 14/3, 277V NEMA L7-15 |
| 17104 | CP3 | 6 Ft. Cable, 14/3, 120V NEMA 5-15 |

Power / Cabling Instructions for Through-Feed

Through-Feed cables are required to link fixtures. Each series of fixtures will require a power source (cord). Number of fixtures that can be linked is 4. All cables and connectors ordered separately. Consult sales for more information.

Through-Feed with D1 Dimming

Power and / or Through-Feed

12 in. Cord (16/3) with 3-Pole Plug
H (17036) or T (17305) Connector required for each fixture

| Through-Feed Cables (3-Pole) | |
|------------------------------|-------------|
| Part # | Length |
| 17034-10 | 10 Ft. |
| 17034-15 | 15 Ft. |
| 17034-25 | 25 Ft. |
| 17034-50 | 50 Ft. |
| 17036 | H Connector |
| 17305 | T Connector |

| Through-Feed Cables DALI | |
|--------------------------|-------------|
| Part # | Length |
| 15975 | 10 Ft. |
| 16281 | 15 Ft. |
| 15976 | 25 Ft. |
| 15977 | 50 Ft. |
| 15978 | 100 Ft. |
| 16099 | H Connector |
| 16217 | T Connector |

DALI

12 in. Cord - DALI cabling contains power and dimming in a single cable
H (16099) or T (16217) Connector required for each fixture

| 0-10V Dimming Cables | |
|----------------------|-----------------|
| Part # | Length |
| 16350 | 9.8 Ft. (3 M) |
| 16349 | 16.4 Ft. (5 M) |
| 14772 | 32.8 Ft. (10 M) |
| 16348 | 49.2 Ft. (15 M) |

