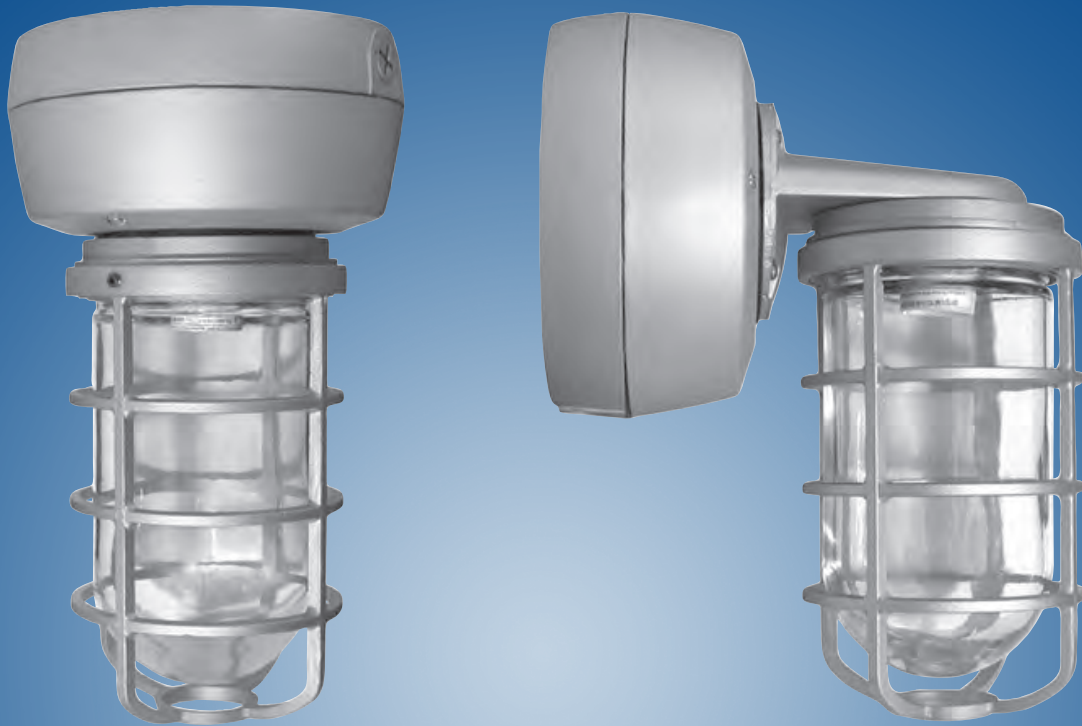


387 SERIES



VAPOR PROOF CFL/HID LIGHTING

- UL listed for U.S. and Canada
- Certified for wet locations
- Vapor proof compact fluorescent or HID light fixtures
- High temperature silicone internal gaskets
- Weatherproof ballast box
- Die cast aluminum for superior quality
- Available in 120, 208, 240 and 277 volt

APPLICATIONS

Facility Entrances
Loading Docks
Waste Water Treatment Areas
Water Treatment/Storage
Food Processing
Tunnels
Retail
Utility Areas
Elevator Pits



www.ldpi-inc.com



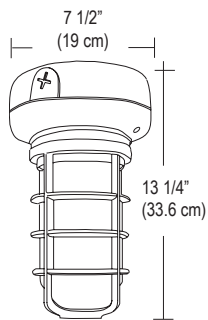
Bright Ideas Innovative Solutions



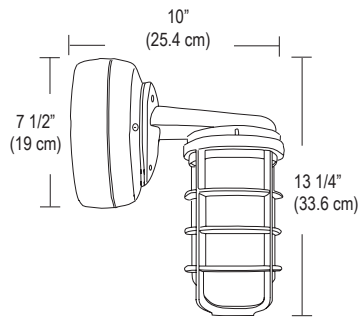
The 387 Series is cast aluminum in construction that allows for 13, 26, 32 and 42 watts in CFL (compact fluorescent) lamps; 35, 50, 70, or 100 watts HID in HPS (high pressure sodium) lamps and 50, 70 or 100 watts of HID for MH (metal halide) lamps. The product is suitable for wet locations. It is vapor proof making it easy to hose down for cleaning if necessary. The 387 Series has a prismatic glass globe for even light distribution and is available in ceiling or wall mounting options with optional dome and angle reflectors. Lamp Included.

387 SERIES DIMENSIONS

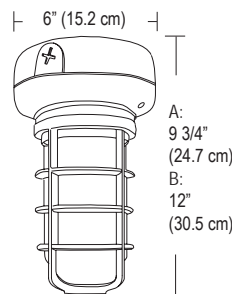
387 HID Ceiling Mount



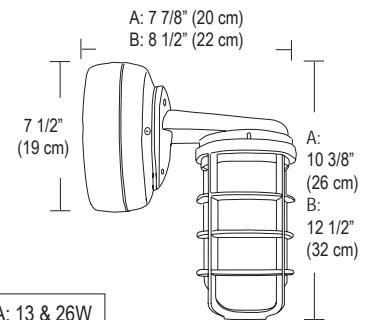
387 HID Bracket Mount



387 CFL Ceiling Mount



387 CFL Bracket Mount

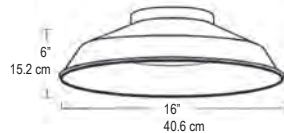


A: 13 & 26W
B: 32 & 42W

DIMENSIONS (Nominal)

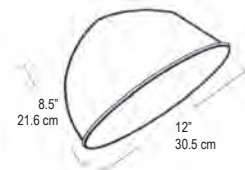
OPTIONAL REFLECTORS

Standard dome reflector



Direct light down with a dome reflector.
Highly reflective finish over heavy gauge aluminum base.
Field installation with 4 screws. **Does not fit bracket/box mount.**

Angle reflector



Direct light down and to the side with a 30° angle reflector.
Highly reflective white epoxy finish over heavy gauge aluminum base.
Field installation with 4 screws.



www.ldpi-inc.com
sales@ldpi-inc.com
1-800-854-0021
(F) 715-839-8145