

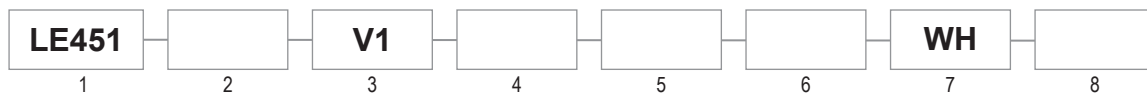


LE451

LED HAZARDOUS LIGHTING

Chemical Processing • Industrial • Metals & Mining • Oil / Gas • Water Treatment

The LE451 Series is a very versatile fixture for use in hazardous environments. It is an ideal fixture for industrial applications, wet locations and task lighting. Optional adjustable mounting brackets allow for precise aiming in multiple angles suitable for most applications. With multiple hub locations, the LE451 Series can meet most of your wiring needs.



1 SERIES	2 SOURCE	3 VOLTAGE	4 OPTIC	5 DIMMING	6 CCT	7 WIRE WHIP*	8 OPTIONS
LE451	43: 43W (1 Row) 62: 62W (1 Row) 100: 100W (2 Row) 120: 120W (2 Row) 140: 140W (3 Row) 180: 180W (3 Row)	V1: 120-277VAC (50/60Hz)	Blank: None A: Diffused Acrylic	Blank: None D1: 0-10V D2: DALI	3: 3,500K 4: 4,000K 5: 5,000K	Blank: None WH: Wire Whip (10ft.) *3-wire wire whip standard. Total number of leads dependent on options ordered.	SS: Stainless Steel Housing EM: Battery/Driver Backup (90min.) AL: Acrylic Lens PL: Polycarbonate Lens AM: Adjustable Mounting Bracket CB: Cable Mount (Stainless Steel) WG: Wire Guard

CERTIFICATIONS

UL844 / CSA 22.2 No.137.0 (Hazardous)
 CI,D2 Groups A,B,C,D
 CII,D2 Groups F,G
 CIII
 T-Codes: CID2=T4 / CIID2=T4A / CIII=T4A
 UL1598 / CSA 22.2 No. 250.0 (Wet / Damp)
 Lumen Maintenance (L70): >60,000 hrs. (reported)
 CRI >80
 -18°C to 40°C Ambient
 IP65

CONSTRUCTION

18Ga. Steel, powder coat white
 Hinged front door and driver tray
 Tempered glass lens
 Pendant mount (Standard)
 1/2" NPT hub each end
 Weights: Min: 48 lbs. / Max: 70 lbs.

ELECTRICAL

120-277VAC (50/60Hz)
 Tough feed wiring (Standard)

FEATURES

LED modular boards
 15° adjustments on optional mounting brackets
 5 Year warranty

*These products are Manufactured in the USA with both domestic and imported components; not all fixture configurations are compliant.

Contact LDPI Sales with specific part number and requirement - Build America, Buy America, TAA or any other federal procurement act for compliance confirmation. Compliance confirmation can take up to 3 days.

PERFORMANCE

Source	Voltage (VAC) 50/60Hz	Input Current (A)	Wattage (W)	CCT	Lumen Output* (Lm)	
					No Optic	Diffused Acrylic Optic
43 (1 Row)	120-277	0.36-0.16	43	3,500K	5,910	4,780
				4,000K	6,030	4,880
				5,000K	6,120	4,950
62 (1 Row)	120-277	0.53-0.23	63	3,500K	7,950	6,440
				4,000K	8,120	6,580
				5,000K	8,240	6,670
100 (2 Rows)	120-277	0.83-0.36	100	3,500K	12,700	10,280
				4,000K	12,980	10,500
				5,000K	13,160	10,650
120 (2 Rows)	120-277	1.00-0.43	120	3,500K	15,500	12,550
				4,000K	15,840	12,820
				5,000K	16,060	13,000
140 (3 Rows)	120-277	1.17-0.51	140	3,500K	18,930	15,310
				4,000K	19,350	15,650
				5,000K	19,620	15,870
180 (3 Rows)	120-277	1.50-0.65	180	3,500K	23,380	18,920
				4,000K	23,890	19,340
				5,000K	24,230	19,610
Emergency Mode	120-277	10.4	10.4	3,500K	2,500	2,020
				4,000K	2,550	2,060
				5,000K	2,590	2,090

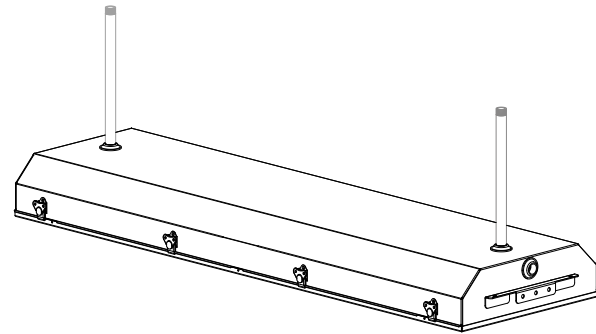
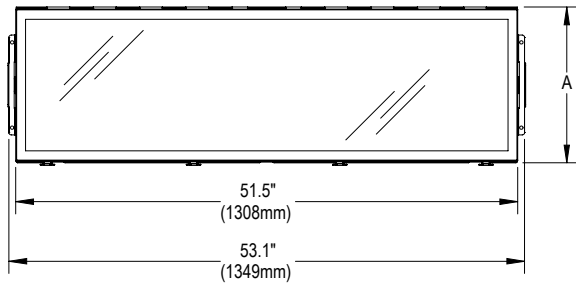
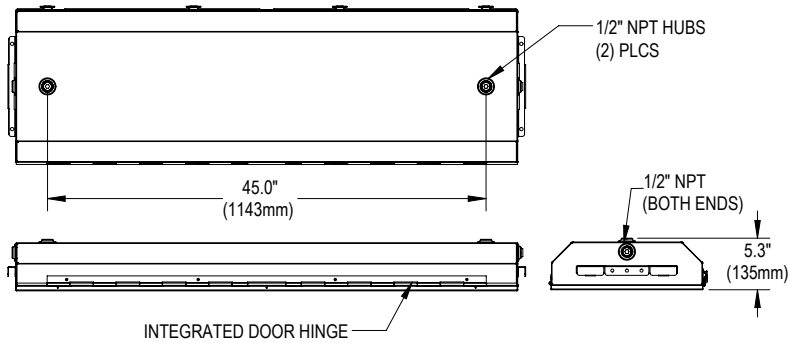
LE451

LED HAZARDOUS LIGHTING

Chemical Processing • Industrial • Metals & Mining • Oil / Gas • Water Treatment



DIMENSIONS (NOMINAL)



Shown with standard pendant mount
(conduit not included)

"A" Dimension in. (mm)	
1 Row	12.2" (310mm)
2 Row	16.2" (411mm)
3 Row	20.7" (526mm)

MOUNTING ACCESSORIES (CAN BE ORDERED SEPARATELY AND FIELD INSTALLED)

Option Number	Part Number	Item	Dimensions
AM Adjustable Mounting Brackets	6856		


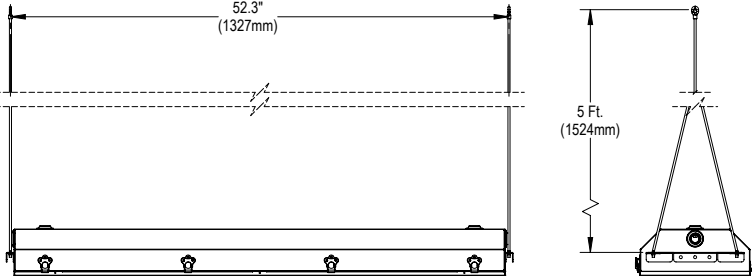


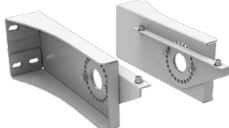
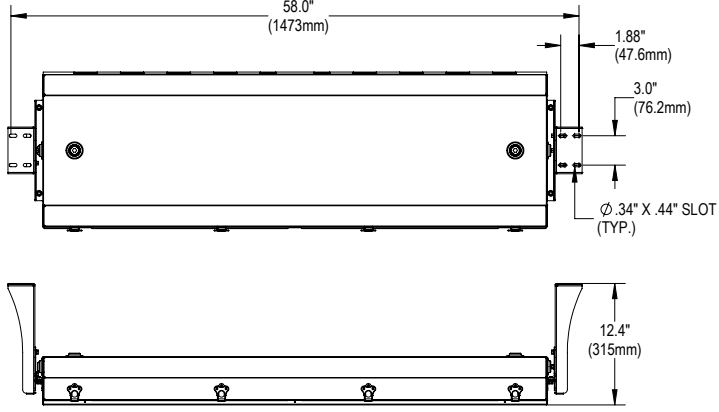
LE451

LED HAZARDOUS LIGHTING

Chemical Processing • Industrial • Metals & Mining • Oil / Gas • Water Treatment

MOUNTING ACCESSORIES (CAN BE ORDERED SEPARATELY AND FIELD INSTALLED)

Option Number	Part Number	Item	Dimensions
CB Cable Mount (5 Ft. Standard)	6875		

Option Number	Part Number	Item	Dimensions
Vertical Surface Mounting Bracket Kit (Ordered Separately, Field Installed)	10357		



Shown with EM option

