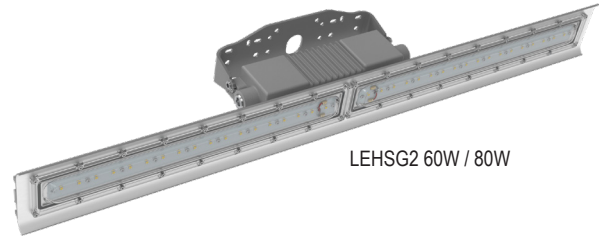
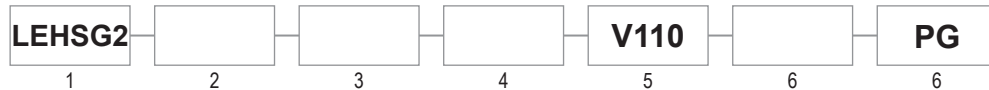


The LEHSG2 is designed and listed for hazardous, marine, and wet locations. This product is ideal for replacing High Pressure Sodium (HPS) and Metal Halide (MH) fixtures for increased energy savings and maintenance.



LEHSG2 60W / 80W



1 SERIES	2 SOURCE	3 VOLTAGE	4 CCT	5 OPTIC / BEAM	6 LENS	7 COLOR	Product comes standard with Yoke bracket pre-installed (3) 3/4" NPT Hubs 10Kv surge protector built-in 3Ft. 3-Wire whip, factory installed
LEHSG2	L1*: 2Ft. / 30W L2: 2Ft. / 40W L3: 4Ft. / 60W L4: 4Ft. / 80W  *L1 unavailable in 347-480VAC	V1: 120-277VAC (50/60Hz) V2: 347-480VAC (50/60Hz)	3: 3,000K 4: 4,000K 5: 5,000K	V110: 110° TYPE V	C: Clear D: Diffused	PG: Gray	

### CERTIFICATIONS

UL844 / CSA-C22.2 No.137 (Hazardous)  
 CI D2, Grps A, B, C, D  
 CII D1, Grps E, F, G  
 CII D2, Grps F, G  
 CIII D1  
 Simultaneous Presence  
 T-Code: CI D2=T4A / CII D1=T4A  
 UL1598 / CSA-C22.2 No.250 (Wet/Damp)  
 UL1598A (Marine Outside)  
 -40°C to 65°C Ambient (CID2 Only)  
 -40°C to 50°C Ambient (CIID1 Only)  
 IP66  
 FCC

### CONSTRUCTION

Copper-free aluminum  
 Powder coat gray  
 All exposed fasteners are stainless steel  
 Polycarbonate lens  
 Light weight compact design  
 (3) 3/4" NPT hub locations  
 Weights: 2Ft.-14 lbs. / 4Ft.-19 lbs.

### ELECTRICAL

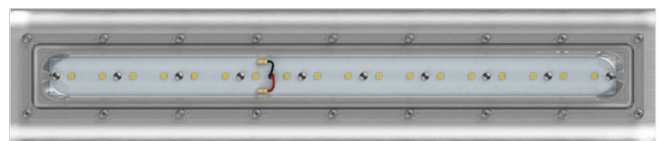
120-277 / 347-480VAC  
 10Kv surge protector built-in - Standard  
 3Ft. 3-Wire whip standard, factory installed

### FEATURES

High lumen output up to 150 Lm/W  
 5G Vibration rating  
 Thermal shock and impact resistant lens  
 0-10V Dimming Capability  
 Lumen Maintenance (L70) >54,000 hrs. (reported)  
 CRI >70  
 Mounting: Pole, Pendant, Wall/Flood, Ceiling, Hanging  
 30° Yoke Adjustments (180° total)  
 5 Year Warranty

### PERFORMANCE

Source	Voltage (VAC) 50/60Hz	Input Current (A)	Wattage (W)	CCT	Lumen Output* (Lm)	
					Clear Lens	Diffused Lens
L1	120-277	.25 - .11	30	3,000K, 4,000K	4,160	3,710
				5,000K	4,430	3,950
L2	120-277	.33 - .14	40	3,000K, 4,000K	5,440	4,860
	347-480			5,000K	5,790	5,170
L3	120-277	.50 - .22	60	3,000K, 4,000K	8,630	7,760
	347-480			5,000K	9,180	8,260
L4	120-277	.67 - .29	80	3,000K, 4,000K	11,310	10,130
	347-480			5,000K	12,030	10,780



Clear Lens



Diffused Lens

# LEHSG2

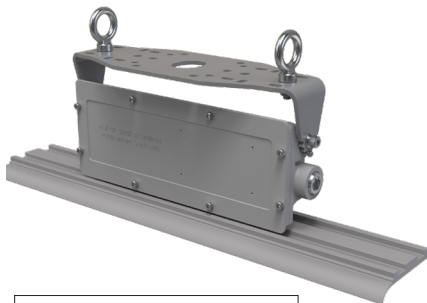
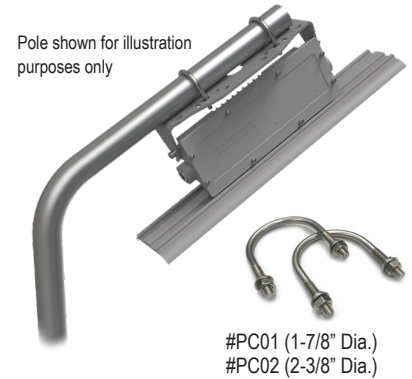
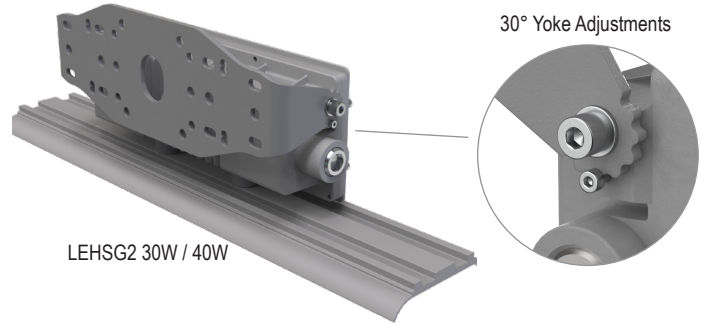
## HAZARDOUS LOCATION

Chemical Processing • Industrial • Oil / Gas • Shipyards / Marine • Water Treatment



### ACCESSORIES - (Field Installed, Order Separately)

Part Number	Description	
PC01	Pole Mount Pipe Clamp Kit Stainless Steel 1-7/8" Dia. Includes: 2 Clamps	
PC02	Pole Mount Pipe Clamp Kit Stainless Steel 2-3/8" Dia. Includes: 2 Clamps	
HK04	Hanging Mount Kit Stainless Steel M10 Eyebolts and nuts Includes: 2 Eyebolts	
UB02	Yoke Mount Bracket Powder Coated Gray SS304	
SFCB03	Stainless Steel Safety Cable Kit	
COGL-03	3ft Cord with pre-installed gland. Rated for CID2 only.	
COGL-10	10ft Cord with pre-installed gland. Rated for CID2 only.	

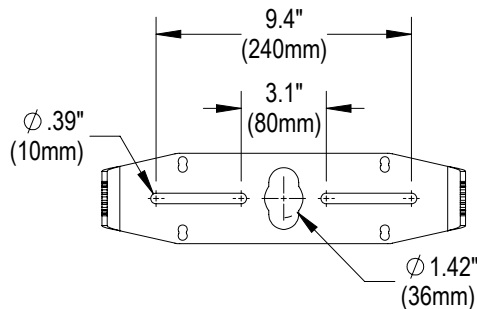


Hanging\*

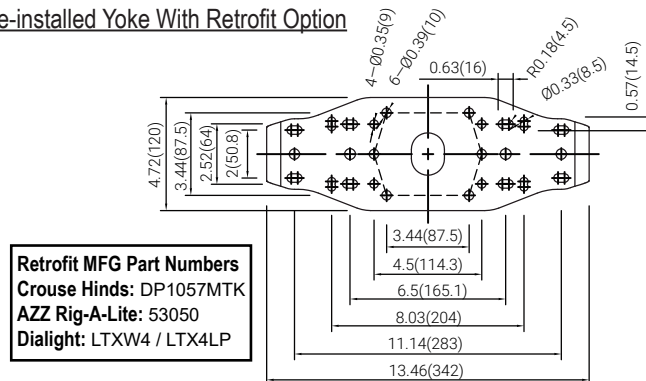


Ceiling / Wall / Pendant

### UB02 Yoke



### Pre-installed Yoke With Retrofit Option



**Retrofit MFG Part Numbers**  
Crouse Hinds: DP1057MTK  
AZZ Rig-A-Lite: 53050  
Dialight: LTXW4 / LTX4LP

Inches (millimeters)

