



INSTALLATION INSTRUCTIONS FOR FRONT ACCESS, 265 MA T8 4 FT 2 LAMP AND 8 FT 2 LAMP INSPECTION SERIES FLUORESCENT LIGHT FIXTURES FOR PAINT, PLASTIC, DEFECT INSPECTION APPLICATIONS

WARNING!

1. TO PREVENT THE RISK OF ELECTRICAL SHOCK DEACTIVATE/DISCONNECT THE POWER SUPPLY BEFORE INSTALLING OR RELAMPING FIXTURE.
2. THE BALLAST IN THIS FIXTURE IS DESIGNED TO OPERATE ON GROUNDED NEUTRAL SYSTEMS ONLY.
3. THIS FIXTURE SHOULD BE INSTALLED BY QUALIFIED TECHNICIANS IN STRICT ACCORDANCE WITH THE NATIONAL ELECTRICAL CODE AND ANY LOCAL REQUIREMENTS.

ORIENTATION

Horizontal, vertical, angular, lamp up or lamp down

MOUNTING

3/8-16 UNC mounting holes (QTY 4) on the long sides of housing allows for surface, pendant, cable, or any other type of desired mounting. (Mounting hardware NOT included)

OPERATIONAL DATA

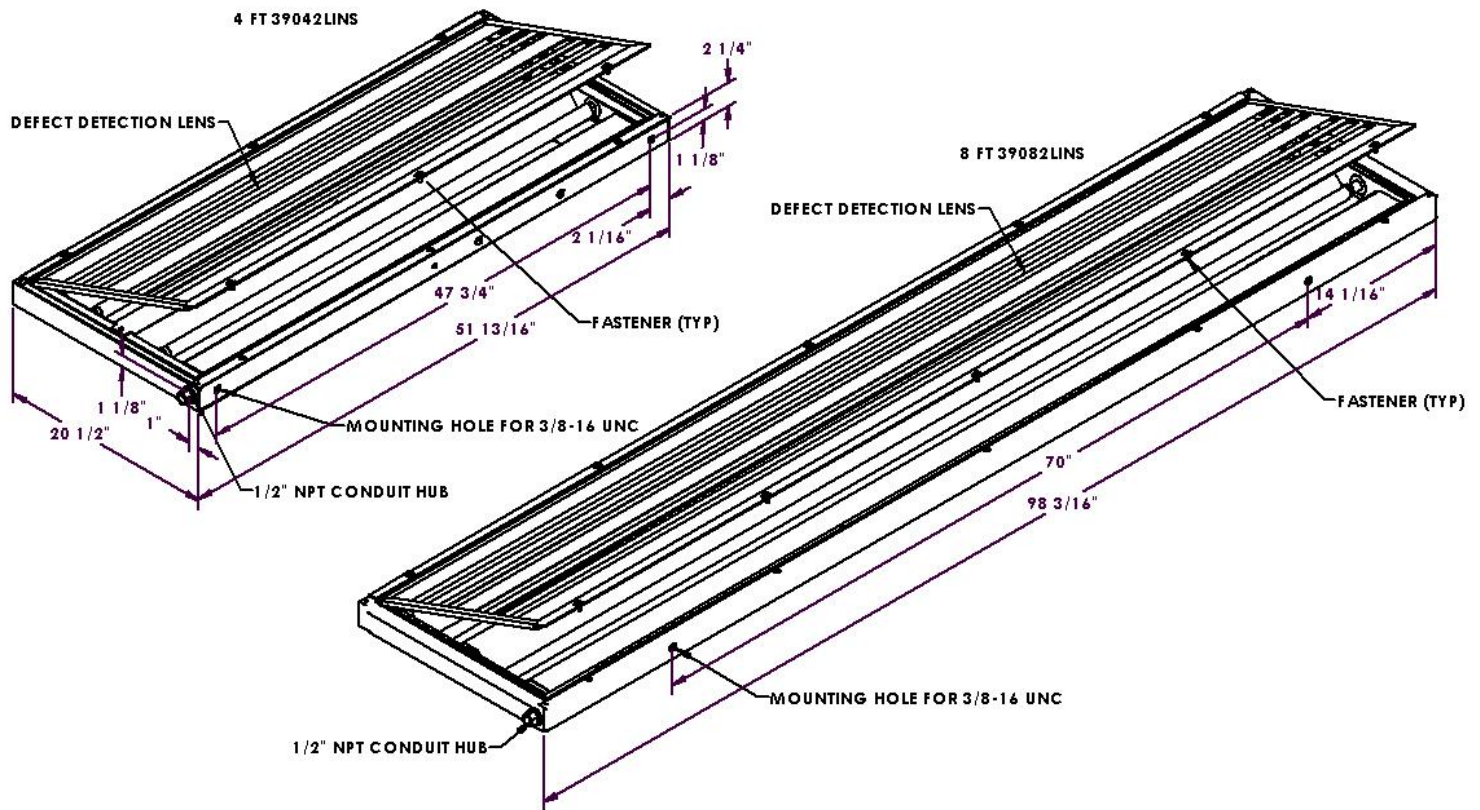
Operate this fixture at its rated voltage. See fixture label for data. Do not install where the marked operating temperature exceeds the ignition temperature of the hazardous atmospheres.

MAINTENANCE DATA

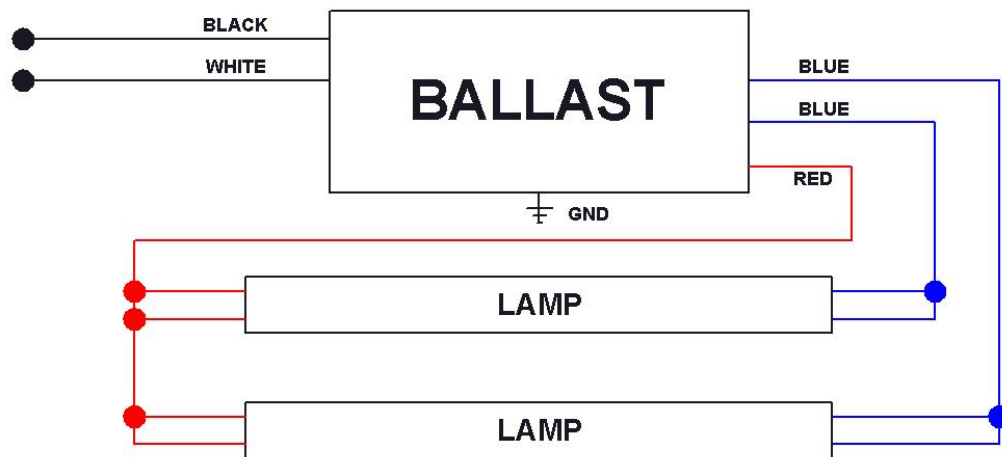
1. Although no routine maintenance is required to keep this fixture functional, it should be checked periodically to ensure that it is working properly and to look for any external damage.
2. For optimum performance, keep light transmission parts of fixture clean. Any commercial glass cleaner can be used to clean the glass.
3. To Relamp: disconnect supply circuit. Remove qty 3 fasteners from glass opposite side from hinge. The glass frame will swing open. Replace old lamp with new lamp. Close glass frame and install fasteners in glass frame to seal.
4. In the event of glass breakage, it will be necessary to replace the damaged glass in order to maintain the integrity of the fixture.

INSTALLATION

1. Attach fixture to structure located as per customer's applications using 3/8-16 UNC fasteners.
2. Remove (3) ¼"-20 x 5/8" Phillips access fasteners, open access door, open front glass frame and Remove ballast cover.
3. Wire fixture through conduit hub according to schematic on back of ballast.
4. Replace ballast cover, install lamps, close access door and install ¼"-20 x 5/8" Phillips access fasteners.
NOTE: When installing lamp – fixtures are rated for (4 FT lamps 32 watts) (8 FT lamps 59 watts) T8 lamps only.
5. Installation of light fixture onto panel is now complete.



**WIRING SCHEMATIC FOR:
4 FT 2 LAMP T8 INSTANT START FIXTURE**
32W T8 INPUT AMPS: (120V: 0.49 AMPS) (277V: 0.22 AMPS)
59W T8 INPUT AMPS: (120V: 0.95 AMPS) (277V: 0.40 AMPS)



NOTE:

Refer to diagram on ballast with specific wiring details.

CAUTION:

THIS FIXTURE SHOULD BE INSTALLED BY QUALIFIED TECHNICIANS IN STRICT ACCORDANCE WITH THE NATIONAL ELECTRICAL CODE AND ANY LOCAL REQUIREMENTS