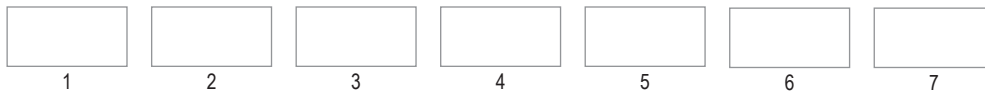


INS2 fixture is specifically designed for inspection and defect detection applications. The proprietary refractor on the INS2 fixture creates distinct luminance edges on painted surfaces which significantly increases the visibility of topographic defects such as dirt in paint, runs, sags, craters, etc. This fixture is available in multiple lengths and can be installed as a stand-alone unit or in a continuous row up to 16' long. It features a black powder coated housing and end caps with an integrated channel on the backside of the housing to allow for surface, pendant, cable or various other Mounting options. Lamps included.



PATENT PENDING



1 SERIES	2 LAMP TYPE	3 LAMP QUANTITY	4 VOLTAGE	5 LENGTH (Ft.)	6 FINISH	7 CORD/PLUG
INS2	T8: 17W (2 Ft.) 32W (4 Ft.) 59W (8 Ft.)	1L: 1 Lamp 2L: 2 Lamp 3L: 3 Lamp 4L: 4 Lamp	120: 120V 277: 277V UNV1: 120/277V 347: 347V	2: 2 Ft. 4: 4 Ft. 8: 8 Ft. 12: 12 Ft. 16: 16 Ft.	PB: Powder Coat Black AB: Anodized Black	C6: 6 Ft. Cord no plug CP6: 6 Ft. Cord with plug

Notes:

UNV1 (Universal voltage) is standard on fixtures without cords. When ordering fixture with a cord (CP6) specify the voltage accordingly. Standard plug is a NEMA rated straight blade.

LISTINGS

UL 1598
CSA 22.2 No. 250.0
50°C Ambient Rating

HOUSING

Black powder coat housing and end caps
6063 T6 Extruded aluminum
Custom powder coat colors or anodized finishes available upon request

REFLECTOR

Symmetrical
91% reflectance

DIFFUSER

Extruded acrylic, UV stabilized
Proprietary surface finish for inspection and defect detection applications

END CAPS

Die formed aluminum

HARDWARE

Zinc plated steel

MOUNTING

Integrated channel on back side of housing allows for surface, pendant, cable, or any other type of desired Mounting.
(Mounting hardware NOT included)
Mounting Kits - ordered separately

ORIENTATION

Horizontal, vertical, angular, lamp up, or lamp down

HUB SIZE

1/2" on one end standard

ELECTRICAL

Available in 17, 32 and 59 watt with T8 lamps
Voltages: 120, 277, 120/277 and 347

BALLAST

Instant start standard

HOLDERS

Tombstone style, twist lock lamp holders

OPTIONS

Cord and plug (specify voltage)

Available Lamp Configurations		
Nominal Fixture Length	QTY of Lamps	Nominal Lamp Length
2 Ft.	1	24 in.
4 Ft.	1	48 in.
8 Ft.	1	96 in.
8 Ft.	2	48 in.
12 Ft.	3	48 in.
16 Ft.	2	96 in.
16 Ft.	4	48 in.

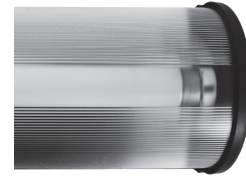
INS2

INSPECTION LIGHTING

Paint Inspection • Plastic Inspection • Defect Detection

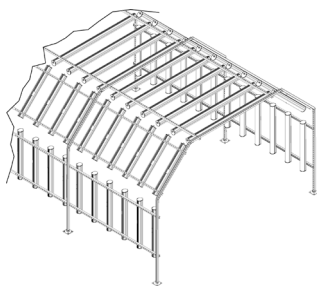
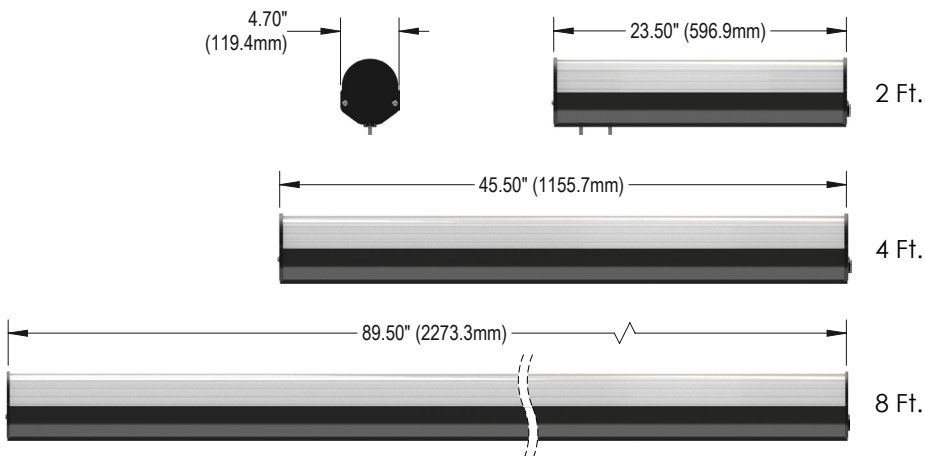


2 Ft. fixture with optional 6 Ft. cord and plug



Diffuser Detail

DIMENSIONS



INS2 Inspection tunnel.



INS2

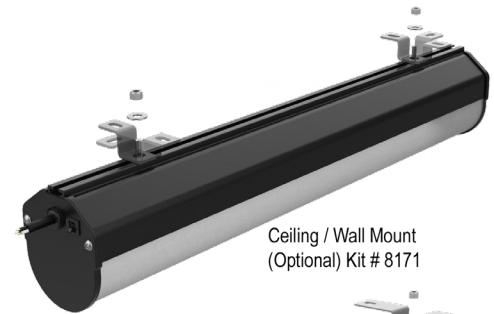
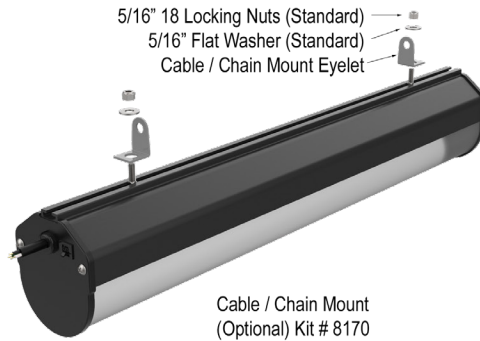
INSPECTION LIGHTING

Paint Inspection • Plastic Inspection • Defect Detection

MOUNTING



Direct Mount (Standard)
1/2" washer to be used when mounting
to material 3/32" thick or less.



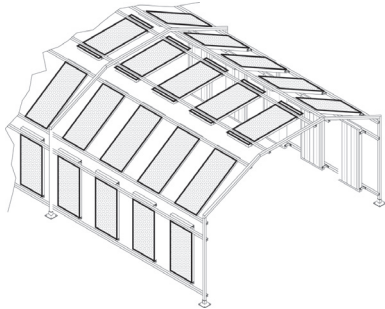
INS2

INSPECTION LIGHTING

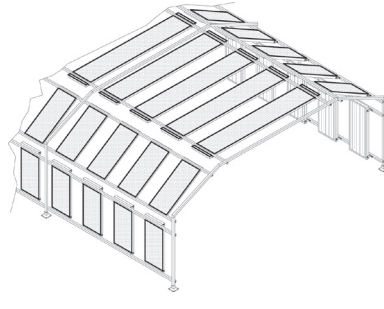
Paint Inspection • Plastic Inspection • Defect Detection



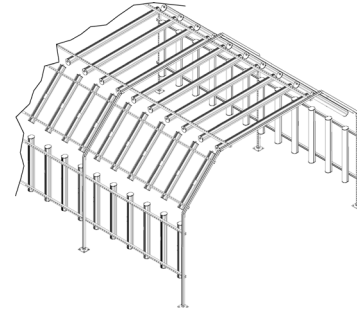
MOUNTING



4 Ft. fixture top horizontal mount

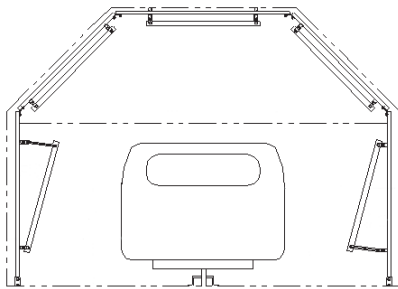


8 Ft. fixture top horizontal mount

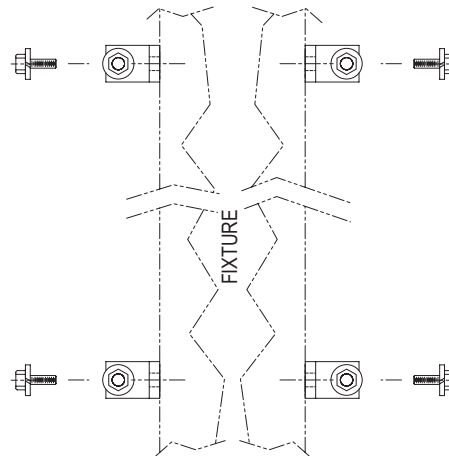


INS2 with 8 Ft. fixture top horizontal mount

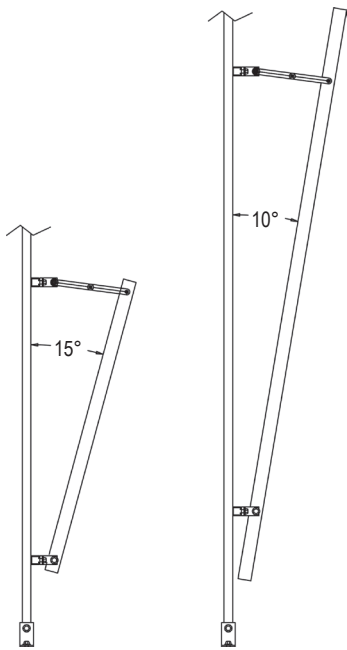
Tunnel provides visual angles from all sides and can be designed with combinations of 4 Ft. and 8 Ft. fixtures to fit product and application requirements. Fixtures mounted 26 1/2" on center. INS2 fixtures mounted 18" on center.



Pivot mount or stationary mounting brackets allow aiming of fixtures for optimal performance.
NOTE: Not available for INS2 fixtures.



P/N 3564 Stationary Mount Kit
4 Ft. and 8 Ft.
Fluorescent Inspection Lighting



4 Foot Fixture Rotation 8 Foot Fixture Rotation
P/N 3563 Pivot Hinge Mount Kit 4 Ft. and 8 Ft.
Fluorescent Inspection Lighting

INSPECTION CART SWIVEL MOUNT
P/N 4828 Swivel Mount Kit
(For mounting fixtures on a 2" square tube frame. For use on 4 Ft. fixtures only.)

Top View

Front of fixture faces direction of arrow

This SQ. Hole to back of fixture

2" SQ. Tube

Side View Fixture Front