



LE108

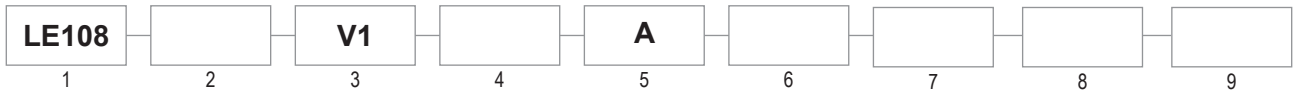
ORDINARY LOCATION LED LIGHTING

General Industrial • Task • Warehouses

The LE108 Series is a line of 8ft LED Open Industrial luminaires. It can be used in dry or damp ordinary locations making it ideal for locations such as warehouses, general industrial areas or other locations where task/area lighting is needed. These luminaires can be mounted vertically, horizontally, surface mounted, or hung.



2 Row with Angle Mount Option



1 SERIES	2 SOURCE	3 VOLTAGE	4 CCT	5 OPTIC	6 DIMMING	7 MOUNTING	8 OPTIONS	9 CORD OPTIONS
LE108	85: 85W (1 Row) 110: 110W (1 Row) 170: 170W (2 Row) 220: 220W (2 Row) 260: 260W (3 Row) 330: 330W (3 Row)	V1: 120-277VAC (50/60Hz)	3: 3,500K 4: 4,000K 5: 5,000K	A: Diffused Acrylic	Blank: None D1: 0-10V D2: DALI	SM*: Adjustable Surface Mount AM: Angle Mount *SM includes 0°, 30°, 45°, 60° angles	SP: Surge Protection EM: Battery/Driver Backup (90min.)	WH: Wire Whip (10ft) CP: 6 Ft. Blunt End Cord CP1: 6 Ft. Cord w/120V Twist Lock Plug CP2: 6 Ft. Cord w/277V Twist Lock Plug CP3: 6 Ft. Cord w/120V Straight Blade Plug

CERTIFICATIONS

UL 1598 (Dry or Damp Locations)
CSA 22.2 No. 250.0
45°C Ambient Rating

CONSTRUCTION

Heavy-duty, open industrial fixture
Sturdy 20 gauge steel
8 ft. Length
Durable, white powder coat finish

FEATURES

Programmable Driver
0-10V or DALI
Reduced installation time
CRI >80
Emergency/Battery backup option available

*These products are Manufactured in the USA with both domestic and imported components; not all fixture configurations are compliant. Contact LDPI Sales with specific part number and requirement - Build America, Buy America, TAA or any other federal procurement act for compliance confirmation. Compliance confirmation can take up to 3 days.



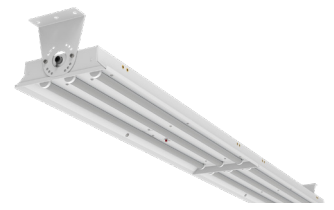
3 Row with Angle Mount Option

Source	Voltage (VAC) 50/60Hz	Input Current (A)	Wattage (W)	CCT	Lumen Output* (Lm)
					Diffused Acrylic Optic
85 (1 Row)	120-277	0.71-0.31	85	3,500K	10240
				4,000K	10610
				5,000K	10760
110 (1 Row)	120-277	0.92-0.40	110	3,500K	12480
				4,000K	12930
				5,000K	13110
170 (2 Row)	120-277	1.42-0.61	170	3,500K	19850
				4,000K	20570
				5,000K	20860
220 (2 Row)	120-277	1.83-0.79	220	3,500K	24850
				4,000K	25760
				5,000K	26120
260 (3 Row)	120-277	2.17-0.94	260	3,500K	31370
				4,000K	32500
				5,000K	32960
330 (3 Row)	120-277	2.75-1.19	330	3,500K	38790
				4,000K	40200
				5,000K	40760
Emergency Mode			20	3,500K	2340
				4,000K	2430
				5,000K	2460

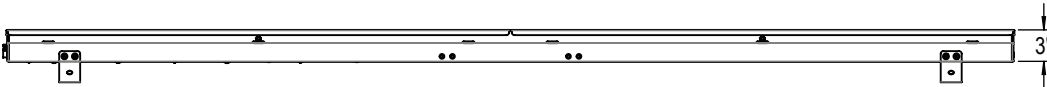
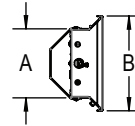
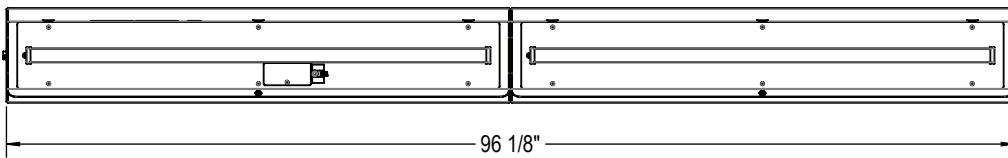
LE108

ORDINARY LOCATION LED LIGHTING

General Industrial • Task • Warehouses

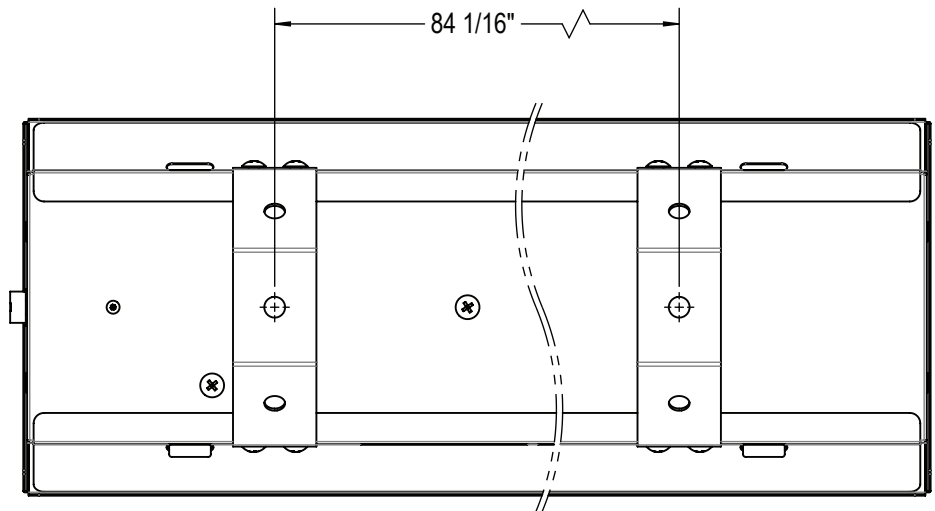
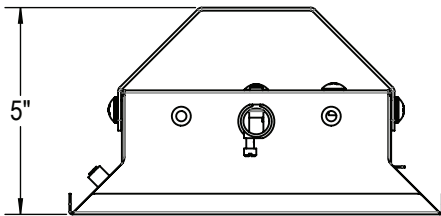


STANDARD DIMENSIONS



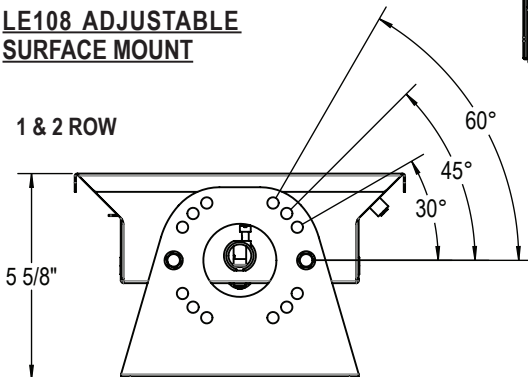
Rows	Dimensions*(in./mm)	
	A	B
1 & 2	6.5" (165mm)	9" (229mm)
3	9.9" (252mm)	12.5" (317mm)

LE108 ANGLE MOUNT



LE108 ADJUSTABLE SURFACE MOUNT

1 & 2 ROW



3 ROW

