

The LE300 Series is an energy efficient alternative to Metal Halide and High Pressure Sodium HID fixtures. This copper-free, cast aluminum fixture is designed for indoor and outdoor applications including: marine, high bay, low bay, and flood applications. This fixture incorporates 24 high power LED's with multiple optical distribution patterns and comes standard with a CCT of 5000K.



1 SERIES	2 SOURCE	3 VOLTAGE
LE300	P11: 107W* (11000Lm) P8: 82W* (9000Lm) P5: 55W* (6400Lm) *Nominal Watts	V1: 120-277V V2: 277-480V (55 Watt only)
4 MOUNT	5 OPTICS	6 OPTIONS
F1: Ceiling 1/2" hub F2: Ceiling 3/4" hub F3: Pendant 3/4" hub F4: Yoke mount 1/2" hub X1: Wall mount 1" hub X2: Stanchion 1 1/4" threaded X3: Angled stanchion 1 1/4" threaded X4: Stanchion 1 1/2" threaded X5: Angled stanchion 1 1/2" threaded	T1: Type I T2: Type II T3: Type III F: Type V frosted ³ N: Type V narrow 16° FWHM ³ M: Type V medium 70° FWHM ³ W: Type V wide 120° FWHM ³	C: Cord with blunt end ^{1,2} CP1: Cord with IP Rated twist lock plug 120V ¹ CP2: Cord with IP Rated twist lock plug 277V ¹ D: Dimming (0-10V dimming driver) (Can not be ordered with a corded option) G: Lens guard 4K: CCT of 4000K 7K: CCT of 7000K PB: Black powder coat finish PW: White powder coat finish PG: Gray powder coat finish (Blank): Natural unpainted finish

Notes:

Marine Indoor Drip-Proof Type Listing: Cord options available for ceiling, pendant and yoke mount only.

¹ Marine Outdoor Type Listing: Blunt end cord option for yoke mount only.

² Optic Types F, N, M and W are available for the Type V optics only.

DLC: LE300-P11-V1-[All Options Except -F4 -X3 -X5]-W-D-P*[Options Exclude -C*-G -4K -7K]

CERTIFICATIONS

UL 1598
 CSA 22.2 No. 250.0
 UL 1598A Marine Outside
 UL 8750
 CSA 22.2 No. 250.13
 IP66
 NEMA 4X
 40°C ambient rating (107 watt)
 50°C ambient rating (55 and 82 watts)
 DLC

FEATURES

Copper-Free Cast Aluminum housing
 Captive Stainless Steel Fasteners and Insert
 5 Year Warranty
 >120,000 Hours (Rated Lifetime Projection L70)

PERFORMANCE

P5, 55 Watt (6400 Lumens)
 P8, 82 Watts (9000 Lumens)
 P11, 107 Watts (11000 Lumens)
 120-277 Volt and 277-480 Volt (P5, 55 Watts only)

OPTICS

T1: Type I
 T2: Type II
 T3: Type III
 Type V
 Frosted glass, narrow 16° FWHM,
 Medium 70° FWHM
 Wide 120° FWHM)

OPTIONS

Mounting:
 Ceiling 1/2" and 3/4" hub, Pendant 3/4" hub, Yoke 1/2" hub, or Wall 1" hub
 Straight Stanchion 1 1/4" and 1 1/2" or Angled Stanchion 1 1/4" and 1 1/2"

Supply Connection:
 Cord with blunt end
 Cord with IP Rated twist lock plug 120V
 Cord with IP Rated twist lock plug 277

Dimming
 Wire Guard
 Color Temperature: 4000K, 5000K (standard option) or 7000K
 Finish: Black, Gray, or White Powder Coat



LE300

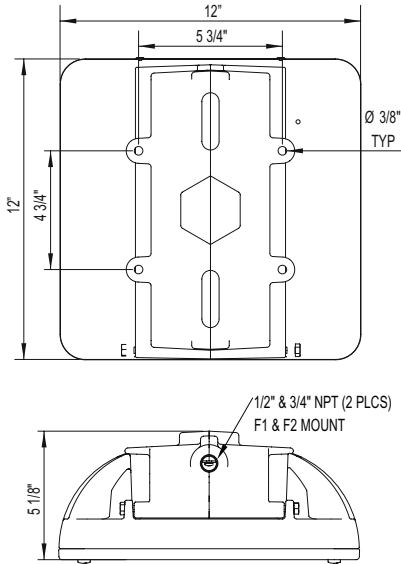
LED MARINE LIGHTING

Food & Beverage Processing • Industrial • Pulp & Paper • Shipyards / Marine • Water Treatment

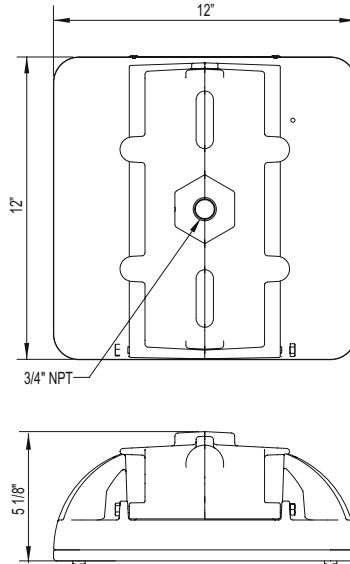


DIMENSIONS

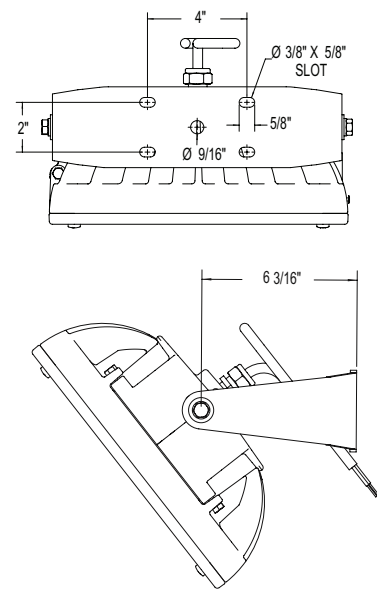
F1 and F2 Ceiling Mount
(Ceiling spacers provided)



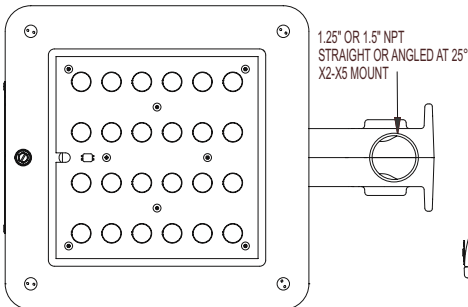
F3 Pendant Mount



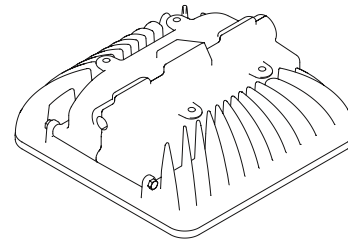
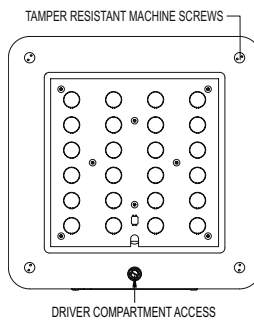
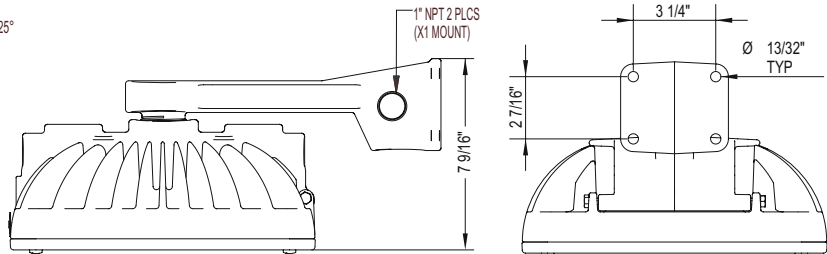
F4 Yoke Mount



X2-X5 Wall/Stanchion Mount



X1 Mount



Equivalent HID (Metal Halide) Watts*

LED	Metal Halide
55	100
82	150
107	250

*For reference only.
.ies files available upon request.