



INSTALLATION OR ASSEMBLY INSTRUCTIONS

AUCUNE TRADUCTION NE S'APPLIQUE

LE201 SERIES LED LIGHTING FIXTURES

IMPORTANT SAFEGUARDS

READ CAREFULLY BEFORE INSTALLING FIXTURE. RETAIN THESE INSTRUCTIONS FOR FUTURE REFERENCE

This fixture must be wired in accordance with the NATIONAL ELECTRICAL CODE AND ALL APPLICABLE LOCAL CODES. PROPER GROUNDING IS REQUIRED FOR SAFETY.

THIS PRODUCT MUST BE INSTALLED IN ACCORDANCE WITH THE APPLICABLE INSTALLATION CODE BY A PERSON FAMILIAR WITH THE CONSTRUCTION AND OPERATION OF THE PRODUCT AND THE HAZARDS INVOLVED.

CE PRODUIT DOIT ETRE INSTALLE SELON LE CODE D'INSTALLATION PERTINENT, PAR UNE PERSONNE QUI CONNAIT BIEN LE PRODUIT ET SON FONCTIONNEMENT AINSI QUE LES RISQUES INHERENTS

WARNING: DISCONNECT POWER BEFORE SERVICING

AVERTISSEMENT: COUPER L'ALIMENTATION AVANT L'ENTRETIEN

THESE INSTRUCTIONS DO NOT COVER ALL DETAILS OR VARIATIONS IN EQUIPMENT NOR DO THEY PROVIDE FOR EVERY POSSIBLE SITUATION DURING INSTALLATION, OPERATION, OR MAINTENANCE.

MOUNTING TO A CEILING OR WALL:

1. INSTALL MOUNTING BRACKETS TO A STURDY SURFACE **PER THE DIAGRAM ON THE ON NEXT PAGE**. ALL MOUNTING HARDWARE SUPPLIED BY OTHERS. USE APPROPRIATE MOUNTING HARDWARE SUCH AS LAG BOLTS AND ANCHORS WITH WASHERS OR T-BAR MOUNTING HARDWARE SUITABLE FOR THE MOUNTING SURFACE.
2. REMOVE LENS BY LOOSENING 8 LENS MOUNTING SCREWS AND SLIDING BACK CLIPS. REMOVE REFLECTOR BY LOOSENING REFLECTOR MOUNTING SCRES AND FLEXING REFLECTOR LEGS. IT IS NOT NECESSARY TO COMPLETELY REMOVE THE SCREWS TO REMOVE THE LENS OR THE REFLECTOR.
3. REMOVE KNOCK-OUTS AS REQUIRED FOR INSTALLATION.
4. INSTALL ONE SIDE OF FIXTURE HOUSING INTO BRACKET SUCH THAT THE END OF THE BRACKET CAPTURES LOWER LIP OF HOUSING. ROTATE FIXTURE TOWARD BRACKET AND FLEX BRACKET OVER OTHER SIDE OF HOUSING. ENSURE BOTH BRACKETS ARE FULLY ENGAGED.
5. FEED SUPPLY WIRES THROUGH CONDUIT HOLE USING AN APPROPRIATE CONNECTOR (SUCH AS LIQUID TIGHT CONDUIT HUB, STRAIN RELIEF CONNECTOR, ETC.).
6. WIRE THE FIXTURE USING SUITABLE WIRE CONNECTORS.
7. RE-INSTALL REFLECTOR AND TIGHTEN 6 REFLECTOR MOUNTING SCREWS.
8. RE-INSTALL LENS AND TIGHTEN 8 LENS MOUNTING SCREWS, ENSURING CLIPS ARE FULLY ENGAGED.

WIRING (MIN 90°C SUPPLY CONDUCTORS) CABLAGE (LES FILS D'ALIMENTATION 90°C MIN)

UNIVERSAL VOLTAGE DRIVER PERMITS OPERATION AT 120VAC, 50 OR 60Hz

1. CONNECT THE **BLACK** FIXTURE LEAD TO THE **(+)** LINE SUPPLY LEAD.
2. CONNECT THE **WHITE** FIXTURE LEAD TO THE **(-)** LINE SUPPLY LEAD.
3. CONNECT THE **GROUND** WIRE FROM FIXTURE TO SUPPLY GROUND.

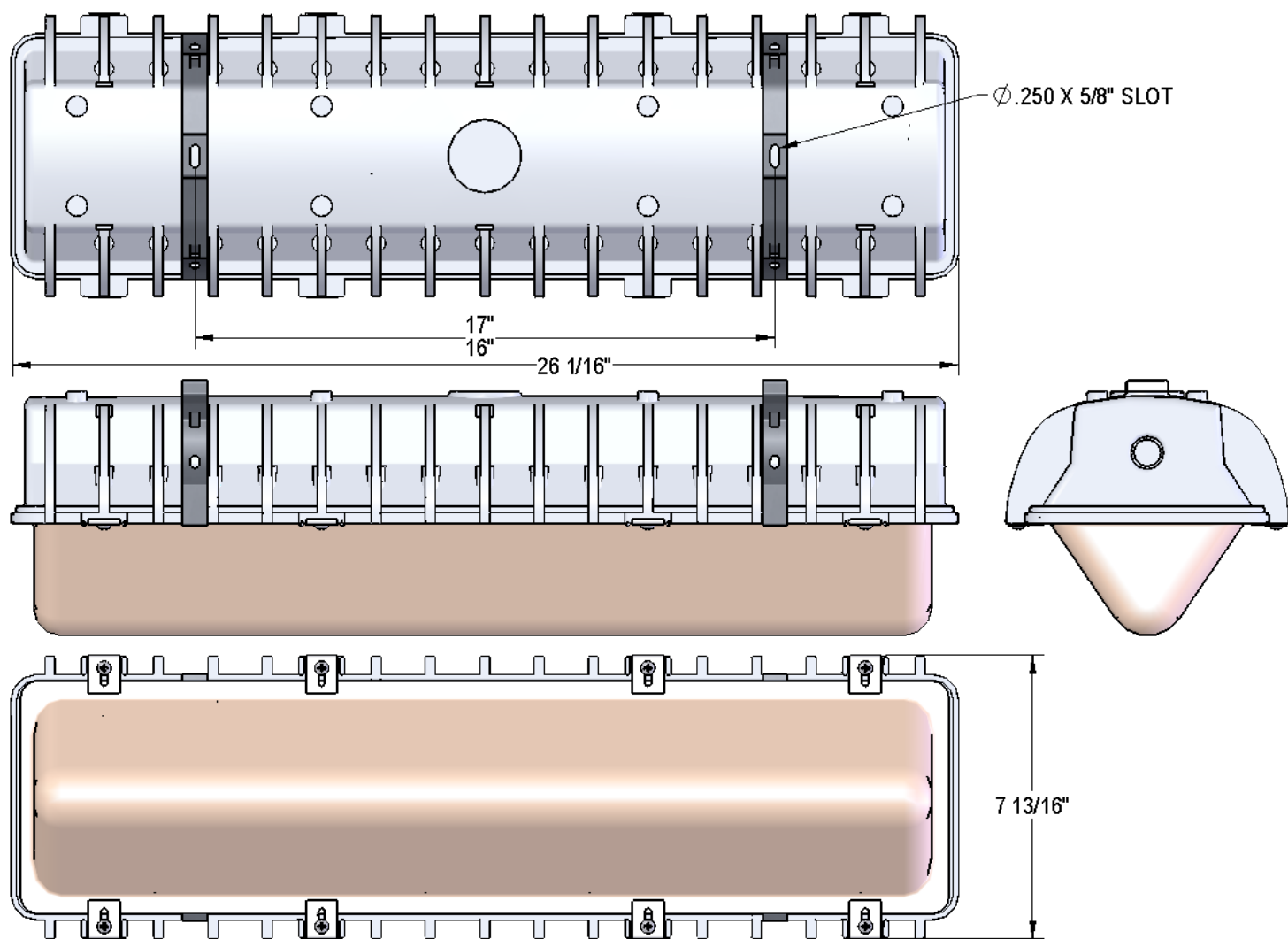
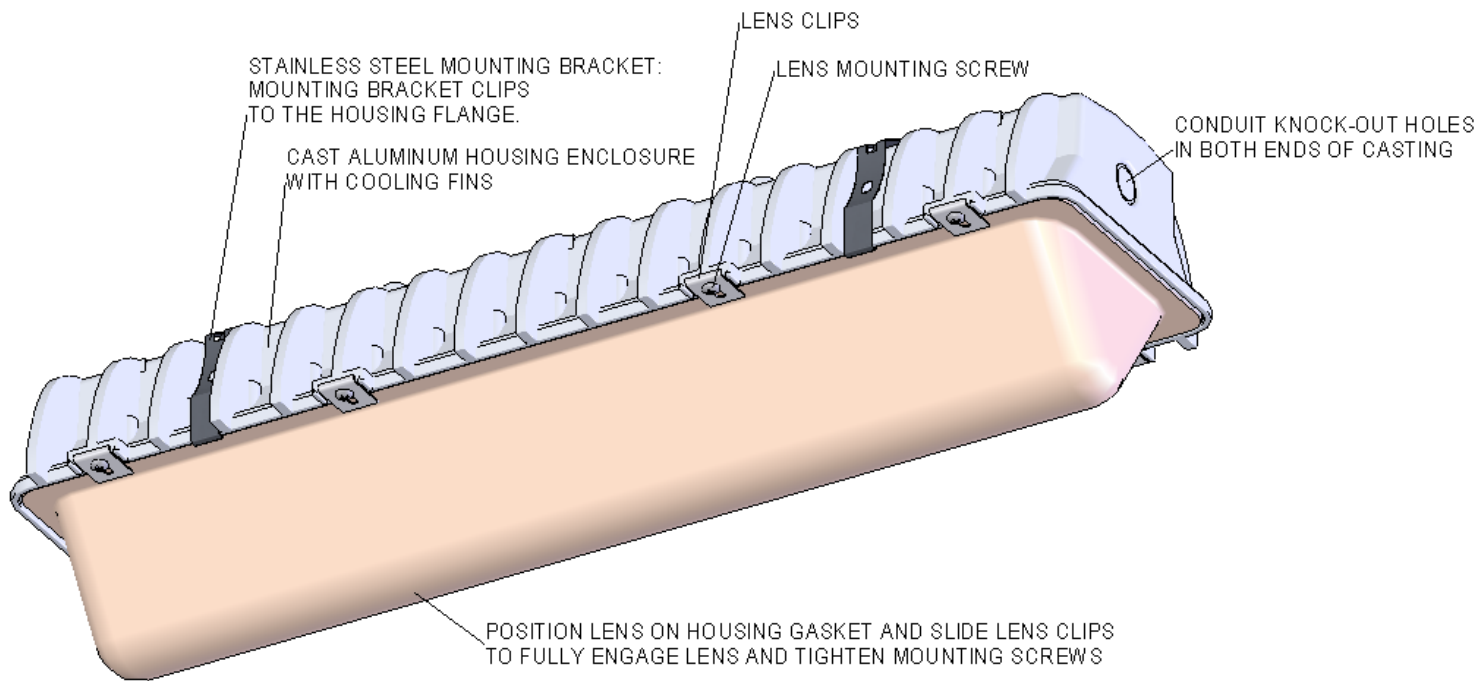
CLEANING & MAINTENANCE:

CAUTION: BE SURE FIXTURE TEMPERATURE IS COOL ENOUGH TO TOUCH. DO NOT CLEAN OR SERVICE WHILE THE FIXTURE IS ENERGIZED.

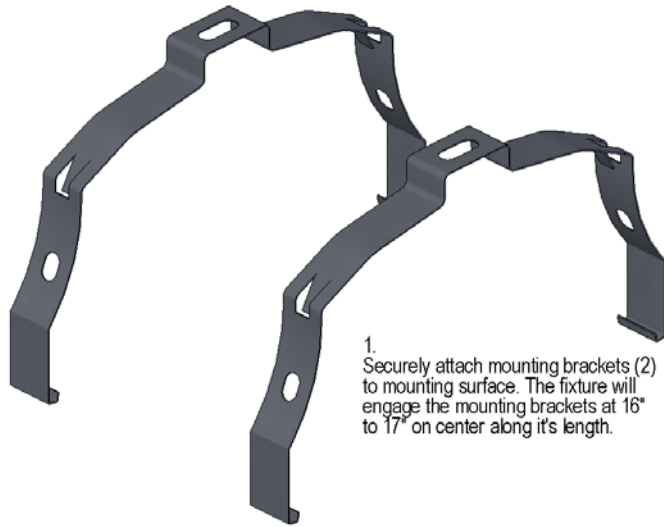
ATTENTION: ASSUREZ-VOUS QUE LA TEMPERATURE DE FIXATION EST SUFFISAMMENT FROID AU TOUCHER. NE PAS NETTOYER OU ENTREtenir QUE LE PROJECTEUR EST MIS SOUS TENSION.

1. CLEAN POLYMERIC LENS WITH NON-ABRASIVE MILD SOAP AND WATER SOLUTION.
2. CLEAN ALUMINUM HOUSING PERIODICALLY TO ENSURE OPTIMAL THERMAL DISSIPATION IS MAINTAINED. EXCESSIVE BUILD-UP WILL INCREASE OPERATING TEMPERATURE WHICH WILL REDUCE LED AND DRIVER LIFE.
3. THIS FIXTURE IS NOT INTENDED TO HAVE THE DRIVER OR LED BOARDS SERVICED IN THE FIELD.

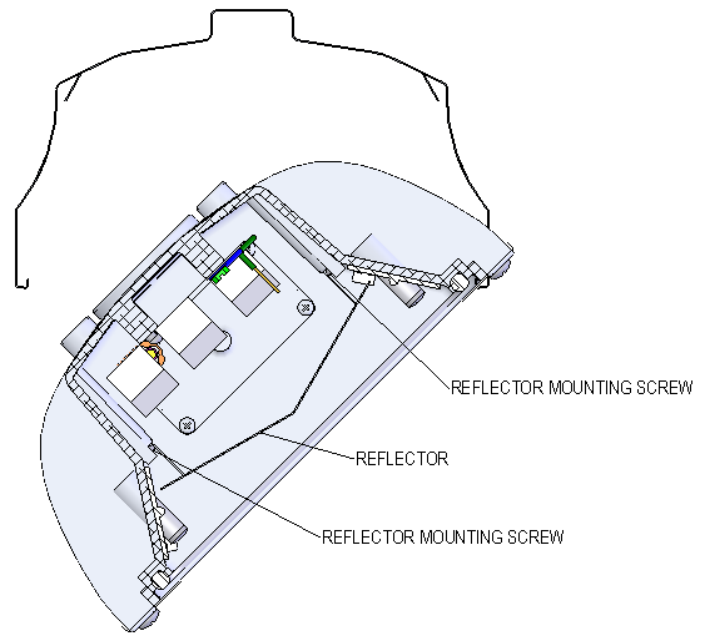




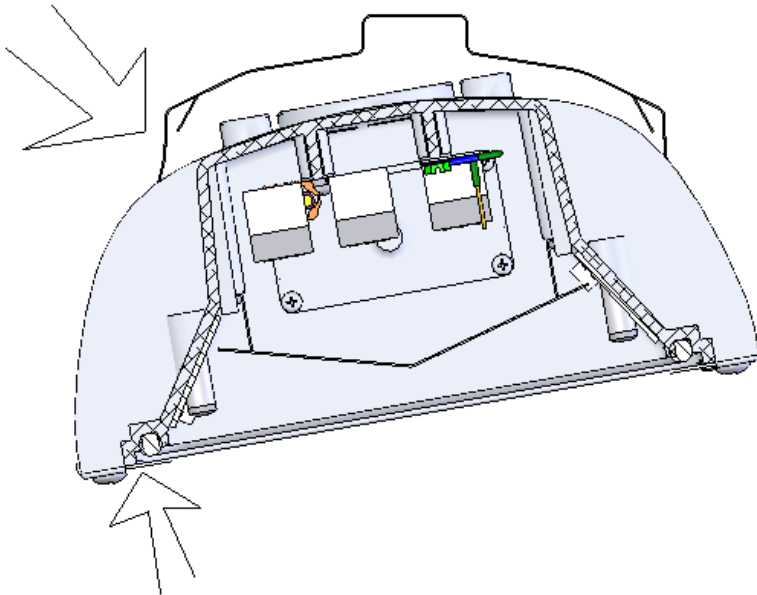
TYPICAL MOUNTING INSTALLATION



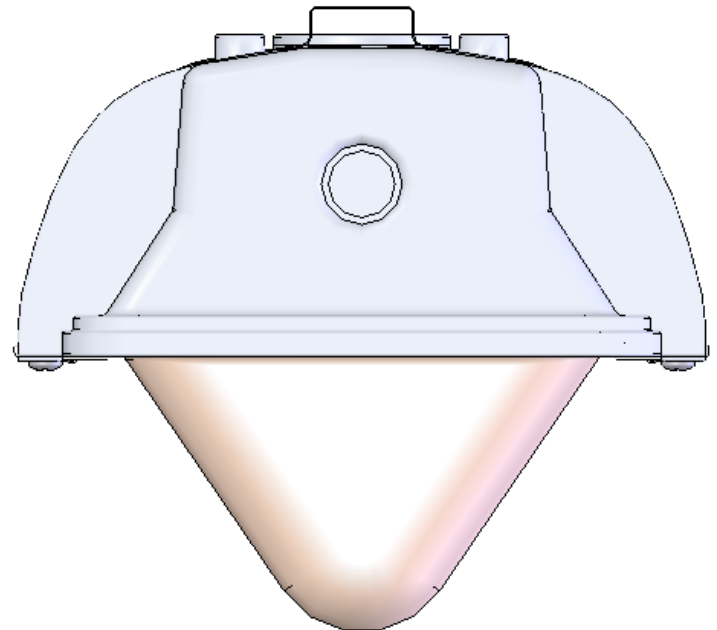
2. Insert one side of the fixture into the mounting brackets.

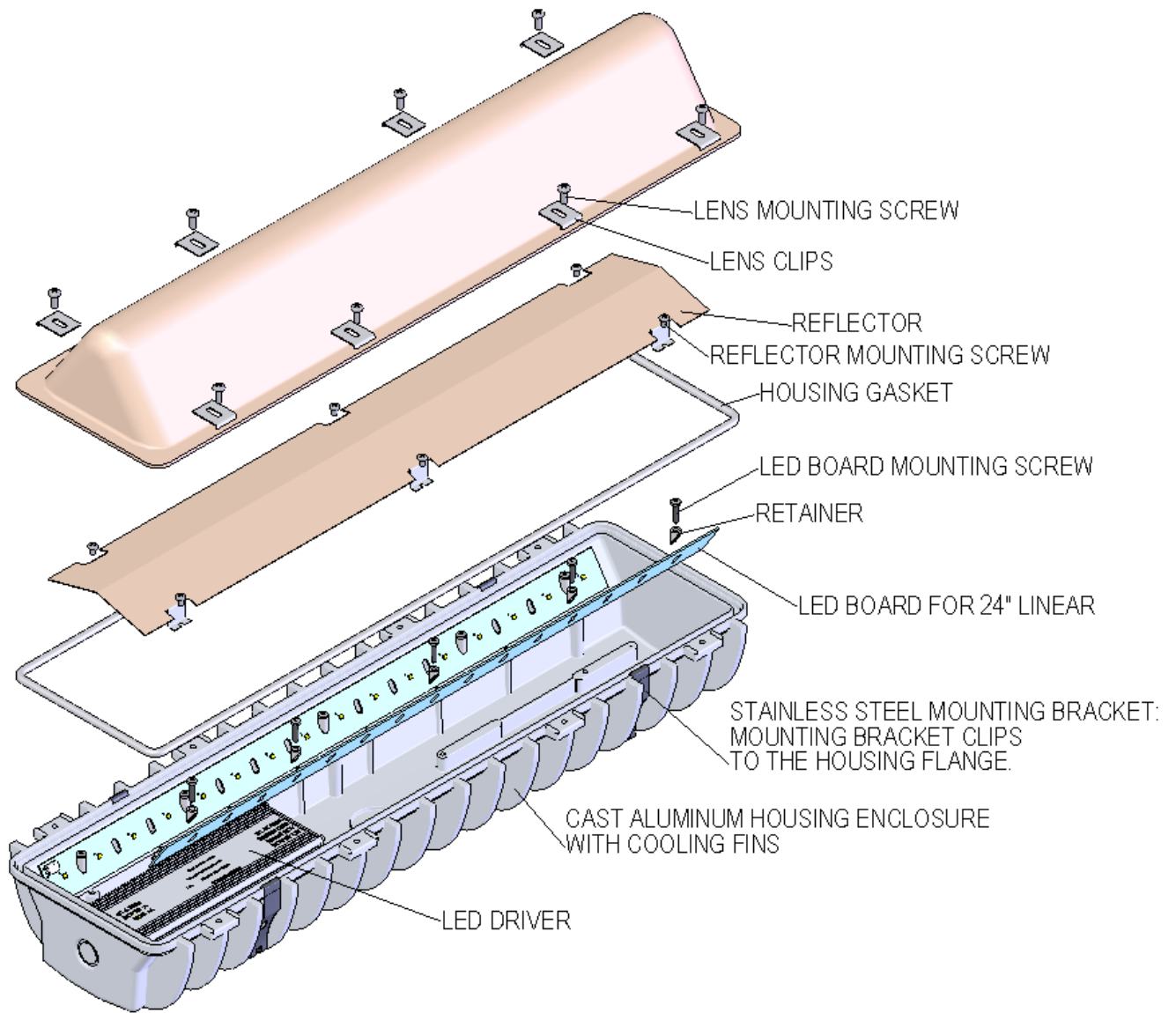


3. Push up on the fixture and then press in on the mounting bracket until the mounting bracket clicks into place.

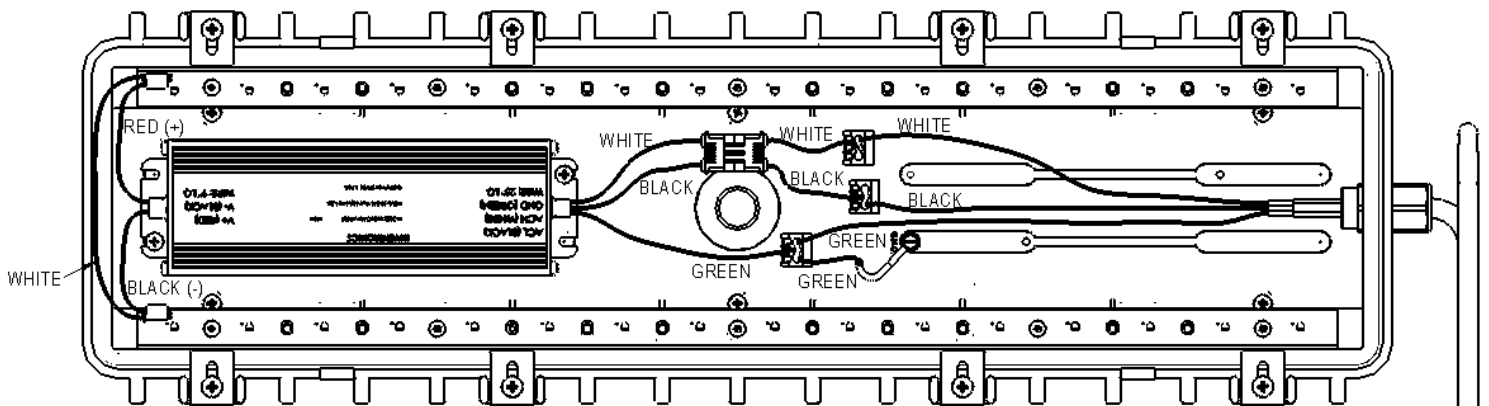


4. Verify that the fixture is fully supported before connecting to a power supply.





TYPICAL WIRING SCHEMATIC



NOTE: THE LED DRIVER IN THIS FIXTURE IS DESIGNED TO OPERATE ON GROUNDED NEUTRAL SYSTEMS ONLY.

IMPORTANT SAFETY NOTE: THERE IS STILL VOLTAGE INSIDE THE FIXTURE WHEN THE FIXTURE IS OPENED.

WARNING: TO PREVENT THE RISK OF ELECTRICAL SHOCK DEACTIVATE/DISCONNECT THE POWER SUPPLY BEFORE MAINTENANCE OF FIXTURE.

NOTE: REFER TO DIAGRAM ON LED DRIVER WITH SPECIFIC WIRING DETAILS.