

LEHB SERIES

LED GENERAL LIGHTING

DATE: _____ PROJECT MGR: _____

JOB: _____

PN: _____



APPLICATIONS

Warehouses
Distribution Centers
Industrial Facilities
Gymnasiums

The LEHB Series is an energy efficient LED highbay alternative to conventional Metal Halide, High Pressure Sodium, and Mercury Vapor fixtures. This chain mount fixture comes with 18" of chain, a carabiner for a quick and easy install, and features a 60° beam angle, an aluminum reflector and two different CCT options to choose from.

SPECIFICATIONS

LISTINGS	UL 1598 CSA 22.2 No. 250.0 UL 8750 CSA 22.2 No. 250.13 -25°C to 50°C ambient rating
FEATURES:	Aluminum construction with a RAL 7044 grey powder coat finish Aluminum reflector 5 Year warranty > 60,000 hours
PERFORMANCE:	150 Watt (14,250 - 15,000 lumens) 200 Watt (19,000 - 20,000 lumens) 277 Volt
OPTICS:	60° beam angle
OPTIONS:	Color temperature (CCT) of 4000K or 5700K



LED GENERAL LIGHTING

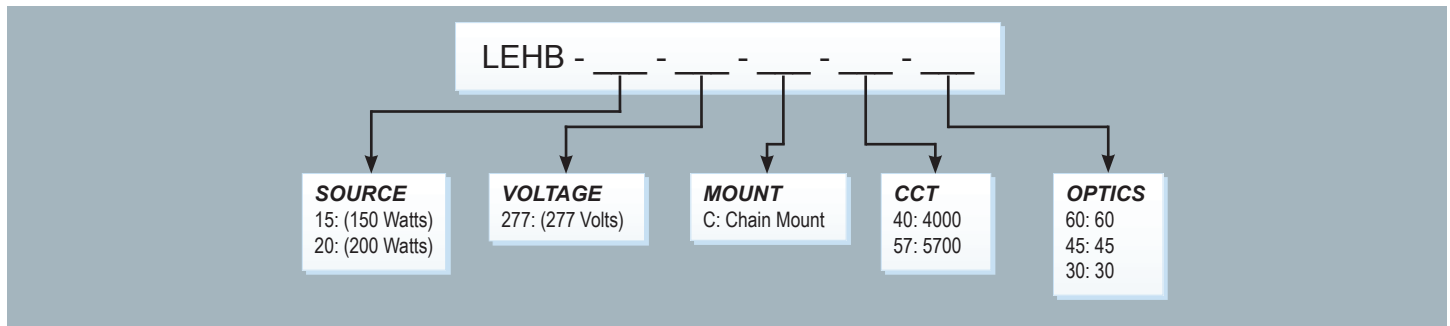


LEHB SERIES

LED GENERAL LIGHTING



www.ldpi-inc.com



Models	Input Voltage (VAC)	Input Current (A)	Input Frequency (Hz)	Luminaire Wattage (W)	Nominal Lumen Output	Color Temperature (CCT)
LEHB-15	277	0.54	50/60	150	14,250	4000K
LEHB-15	277	0.54	50/60	150	15,000	5700K
LEHB-20	277	0.72	50/60	200	19,000	4000K
LEHB-20	277	0.72	50/60	200	20,000	5700K

Dimensions (Nominal)

