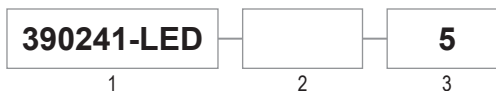


The 241 Series is an ideal product for a multitude of areas including Paint Spray Booths, Prep Areas, Inspection Areas, Sanding or Machining Areas, even where Grain or Coal Dust may be a concern. This 4 LED tube lamp 4' fixture is available with T8 LED replacement tube lamps. This fixture series can be built with low and standard ballast factor ballasts and is available with 5,000K LED tube lamps. This series carries multiple listings from UL and ETL for Class I Div. 2 and Class II Div. 2 applications. Must be mounted hinge side up. LED Tube Lamps and 8 Ft. wire whip included.



1 SERIES	2 SOURCE	3 CCT
390241-LED: 4 LED Tube Lamp Fixture	L: Low Output Factor (64W) S: Standard Output Factor (70W) H: High Output Factor (97W)	5: 5,000K

### CERTIFICATIONS

UL844 / CSA-C22.2 No.137 (Hazardous)  
 CI D2, Grps A,B,C,D  
 CII D2, Grps F,G  
 Paint Spray Listed  
 T Code: CI D2 & CII D2=T3C  
 UL1598 / CSA-C22.2 No.250 (Wet/Damp)  
 Lumen Maintenance (L70) >50,000 hrs. (lamps only)  
 CRI >80  
 -18°C to 40°C Ambient

### PERFORMANCE

SERIES	Source	Voltage (VAC) 50/60Hz	Input Current (A)	Wattage (W)	Lumen Output* (Lm)
					5,000K
390241-LED	L	120-277	.54 - .23	64	5860
	S		.59 - .26	70	6500
	H		.82 - .35	97	8400

\* Nominal values

### CONSTRUCTION

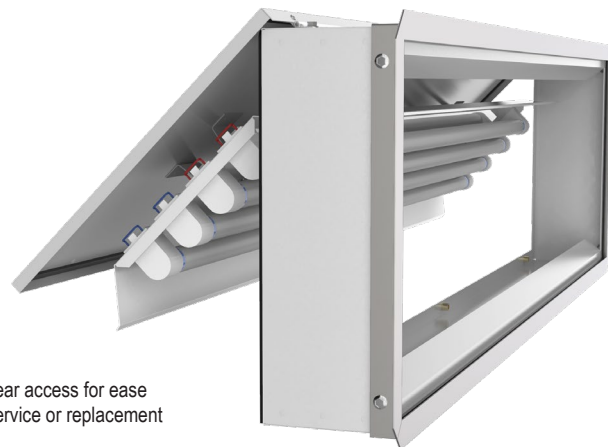
20 gauge white powder coated steel housing  
 Hinged, rear access panel  
 Tempered glass panel  
 Silicone free gaskets  
 4 Ft. length (nominal)  
 1/2" NPT Hub  
 Weight: 46.5 lbs.

### ELECTRICAL

120-277VAC  
 8Ft. 3-wire whip (standard)

### FEATURES

Hinged rear access for easy lamp replacement  
 40%+ energy savings compared to F32 T8 lamps  
 LED tube lamps included  
 5 year warranty

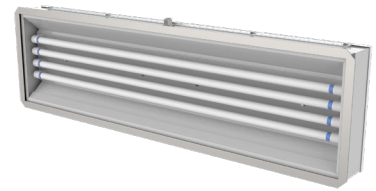


Hinged, rear access for ease of lamp service or replacement

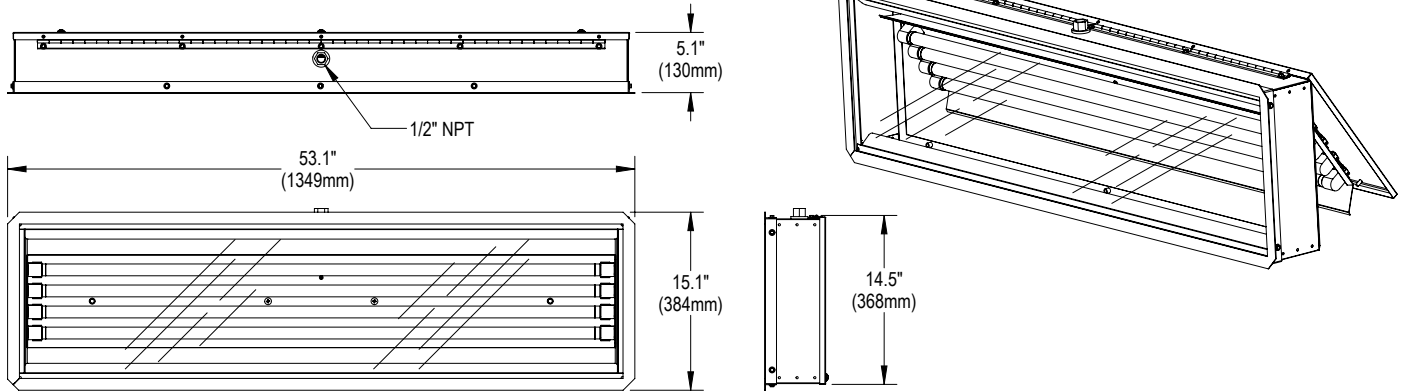
# 241 LED

## LED HAZARDOUS BOOTH LIGHTING

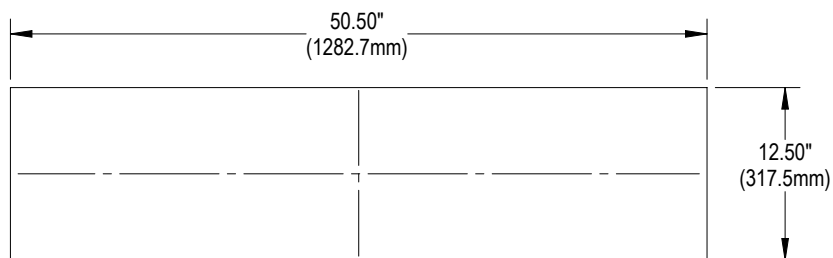
Paint Spray Booths • Prep Areas • Inspection Areas • Laboratories



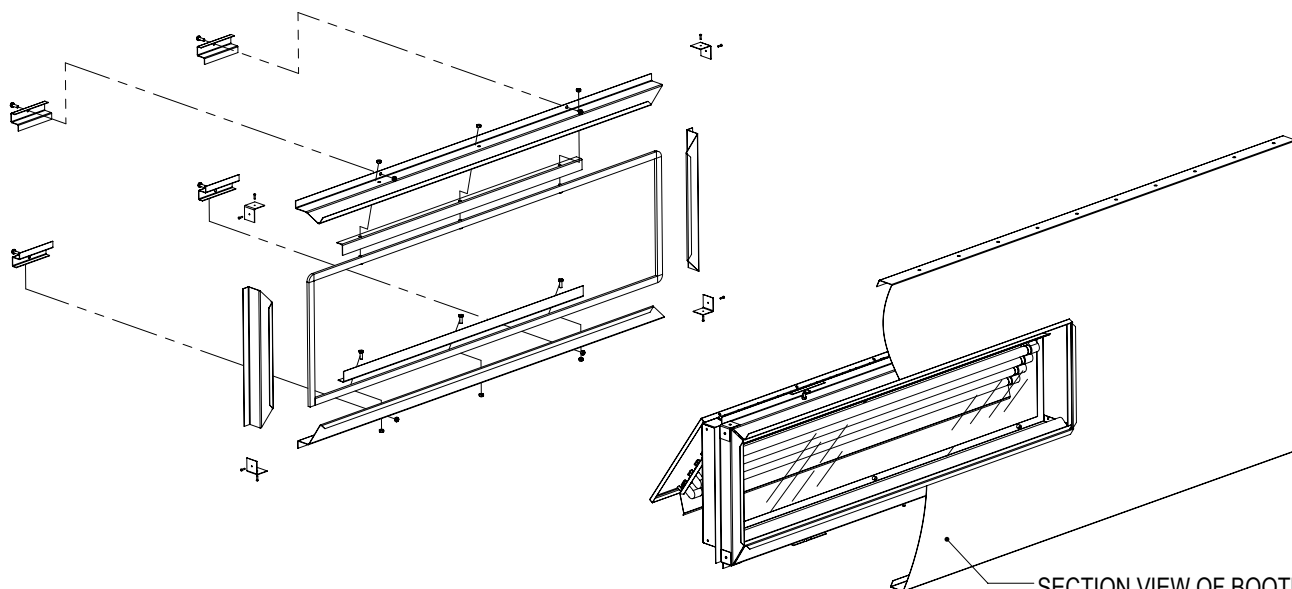
### DIMENSIONS (NOMINAL)



### PANEL CUTOUT DIMENSIONS (ACTUAL)



### MOUNTING KIT (KIT #4692, ORDERED SEPARATELY, FIELD ASSEMBLY REQUIRED)



SECTION VIEW OF BOOTH  
INTERIOR PANEL SHOWN FOR  
ILLUSTRATION PURPOSES ONLY



1-800-854-0021 www.ldpi-inc.com  
LDPI® is a registered trademark of LDPI, Inc. © LDPI, Inc.

Product design and specifications subject to change without notice.  
Visit [www.ldpi-inc.com](http://www.ldpi-inc.com) for the most current version and photometric data. v.08.18.22