

The 400 Series Rear Access fixture is an ideal paint spray booth product when a rear access fixture is desired. The 400 Series is also a vapor proof product with an ETL listing of Class I Division 2 rating. This 4Ft. fixture is available with 2, 4 and 6 LED tube lamp options, can be built with low and standard output factor drivers and is available with 5,000K CCT. LED tube lamps and 8Ft. wire whip included.



390 [] -LED [] [5]
 1 2 3

1 SERIES	2 SOURCE	3 CCT
421: 2 LED Tube Lamps 441: 4 LED Tube Lamps 461: 6 LED Tube Lamps	L: Low Output Factor* S: Standard Output Factor H: High Output Factor *only available with 390441-LED (4 LED Tube Lamps)	5: 5,000K

CERTIFICATIONS

UL844 / CSA-C22.2 No.137 (Hazardous)
 CI D2, Grps A,B,C,D
 CII D2, Grps F,G
 T Code: CI D2 & CII D2=T3C
 Paint Spray Listed
 UL1598 / CSA-C22.2 No.250 (Wet/Damp)
 Lumen Maintenance (L70): >50,000 hrs. (lamps only)
 CRI >80
 -18°C to 40°C Ambient
 NFPA33

CONSTRUCTION

20 gauge white powder coated steel housing
 Hinged, rear access panel
 Silicone free gaskets
 4 Ft. length (nominal)
 Clear tempered glass panel
 1/2" NPT Hub
 Weights: Min: 36 lbs. / Max: 56 lbs.

ELECTRICAL

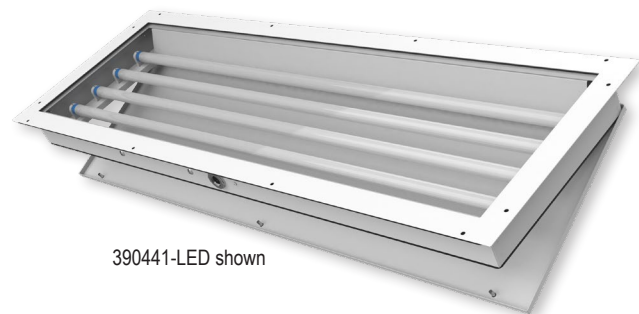
120-277VAC
 8Ft. 3-wire whip (standard)

FEATURES

Recess mount - Rear access
 40%+ energy savings compared to F32 T8 lamps
 LED tube lamps included
 5 year warranty

PERFORMANCE

SERIES	Source	Voltage (VAC) 50/60Hz	Input Current (A)	Wattage (W)	Lumen Output* (Lm)
					5,000K
390421-LED	L	120-277	n/a		
	S		.29 - .13	35	3250
	H		.41 - .18	49	4010
390441-LED	L		.54 - .23	64	5470
	S		.59 - .26	70	6150
	H		.82 - .35	97	8550
390461-LED	L		n/a		
	S		.88 - .38	105	10070
	H		1.22 - .53	145	13310
					* Nominal values



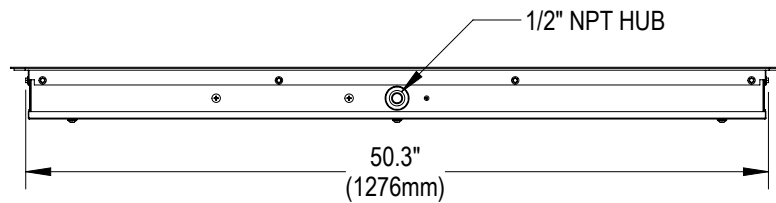
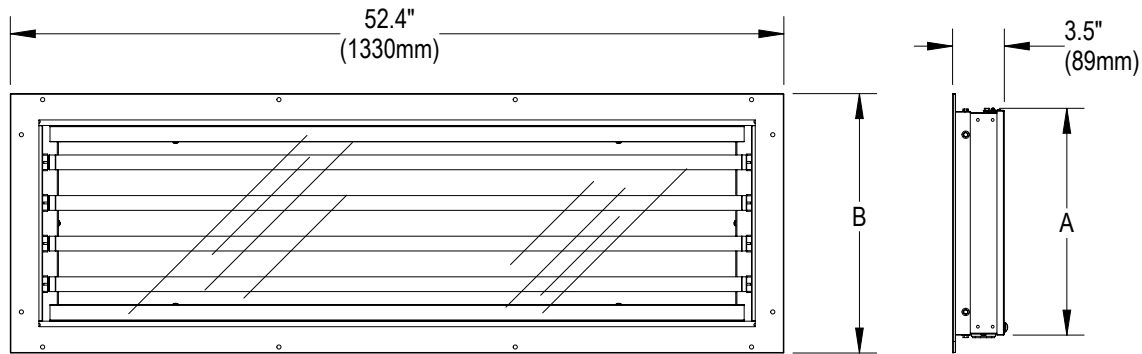
390441-LED shown

400 LED

LED HAZARDOUS BOOTH LIGHTING

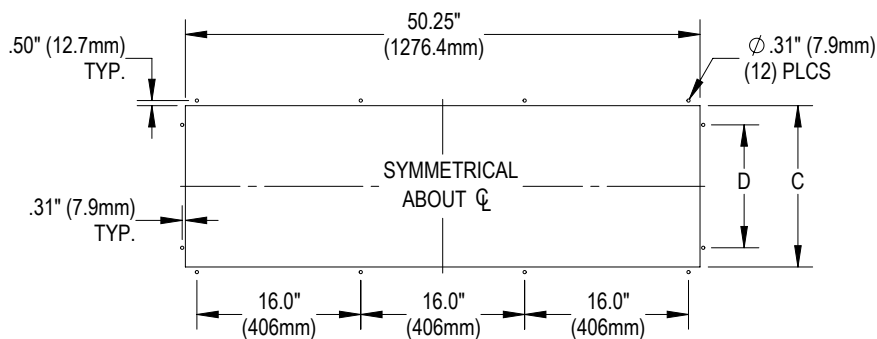
Paint and Powder Booths • Blast Booths • Clean Rooms • Prep • Sanding

DIMENSIONS (NOMINAL)



Series	Dimensions* (in./mm)	
	A	B
390421-LED	10.5" / 267	12.5" / 318
390441-LED	15.50" / 394	17.5" / 445
390461-LED	20.50" / 521	22.5" / 572
* Nominal dimensions		

PANEL CUTOUT DIMENSIONS (ACTUAL)



Series	Dimensions* (in./mm)	
	C	D
390421-LED	10.75" / 273	7.0" / 178
390441-LED	15.75" / 400	12.0" / 305
390461-LED	20.75" / 527	17.0" / 432
* Actual dimensions		