

LE121 SERIES LED LIGHTING FIXTURES

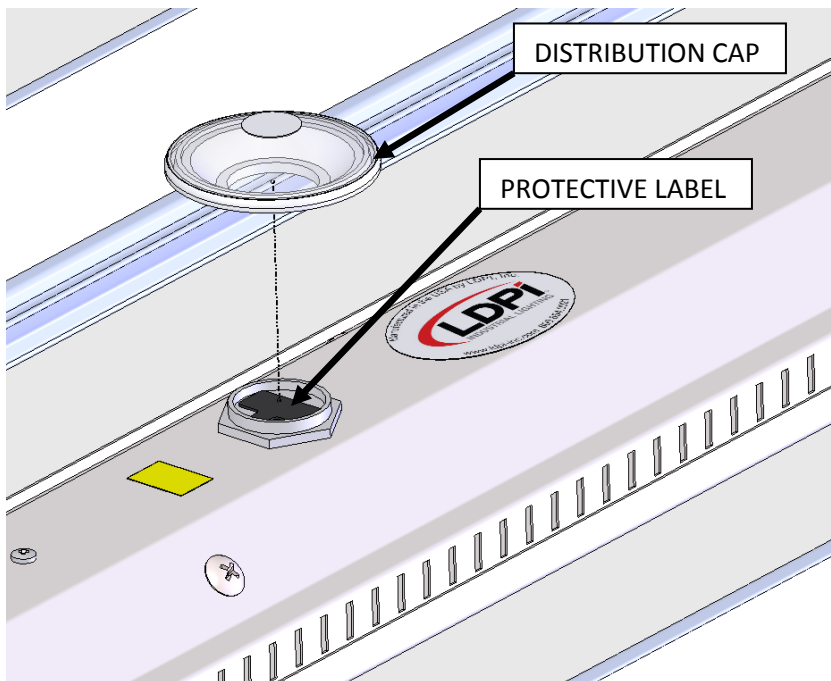
IMPORTANT SAFEGUARDS READ AND FOLLOW ALL SAFETY INSTRUCTIONS BEFORE INSTALLING THIS FIXTURE

- This fixture should be installed by qualified technicians in strict accordance with the National Electrical Code and any local requirements.
- For non-adjustable cord and plug application, the fixture **must** be mounted directly below the outlet/bus way.
- For cord equipped application *without an attachment plug*, suitable strain relief for the gauge and number of conductors **must** be used.
- To prevent risk of electrical shock deactivate/disconnect the power supply before installing or servicing fixture.
- To maximize longevity of the fixture, do not mount near heat sources.
- The use of accessory equipment not recommended by the manufacturer may cause an unsafe condition and/or void warranty.
- This fixture is designed for general lighting purposes. Do not use fixture for other than intended use.

SAVE THESE INSTRUCTIONS

INSTALLATION NOTES

1. **BEFORE INSTALLING, MAKE SURE THAT THE CIRCUIT IS DEACTIVATED.**
2. The driver in this fixture is designed to operate on grounded neutral systems only.
3. Before installing, check the fixture label to insure correct voltage and frequency.
4. Refer to the following pages for Typical LE121 Series fixture mounting. Mounting hardware is not supplied.



OCCUPANCY SENSOR INSTALLATION

- REMOVE PROTECTIVE LABEL ON OC SENSOR
- INSTALL DISTRIBUTION CAP FOR OC SENSOR

OPERATIONAL DATA

Operate this fixture at its rated voltage. NOTE: REFER TO LED DRIVER IN FIXTURE FOR ITS RATED VOLTAGE.

MAINTENANCE DATA

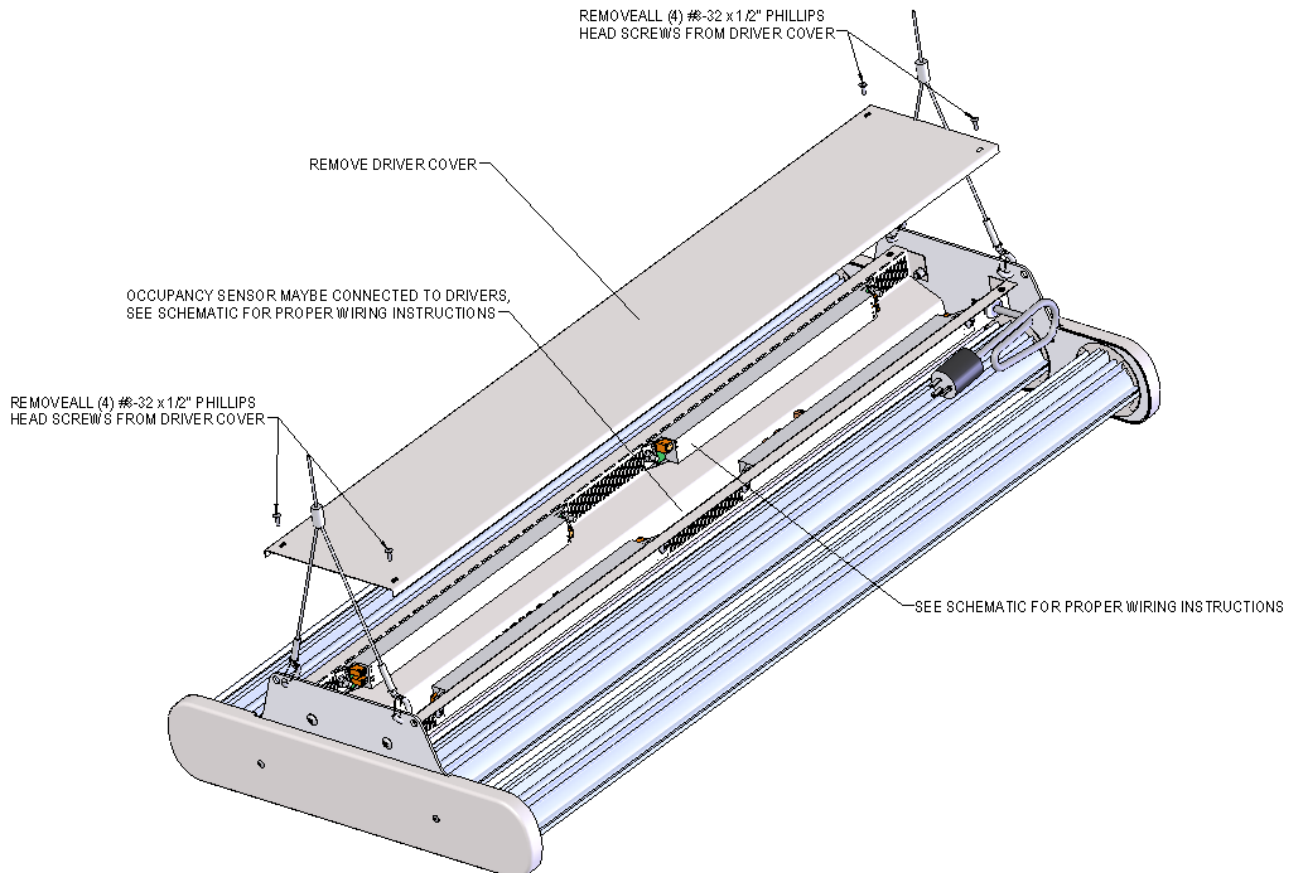
Although no routine maintenance is required to keep this fixture functional, it should be checked periodically to ensure that it is functioning properly and to inspect for external damage.

General Cleaning; For optimum performance and longevity:

- Keep fixture free of debris and sediment build up.
- Keep light transmission lens clean.
 - Lens care: While exercising caution to eliminate the ingress of all liquids, rinse the lens with warm water and clean with milde soap solution and lint free cloth. To remove grease, oil and graffiti, use Isopropyl Alcohol followed by the above soap solution sequence. Avoid cleaning the lens in direct sunlight. DO NOT use amonia.

Replacing LED Driver

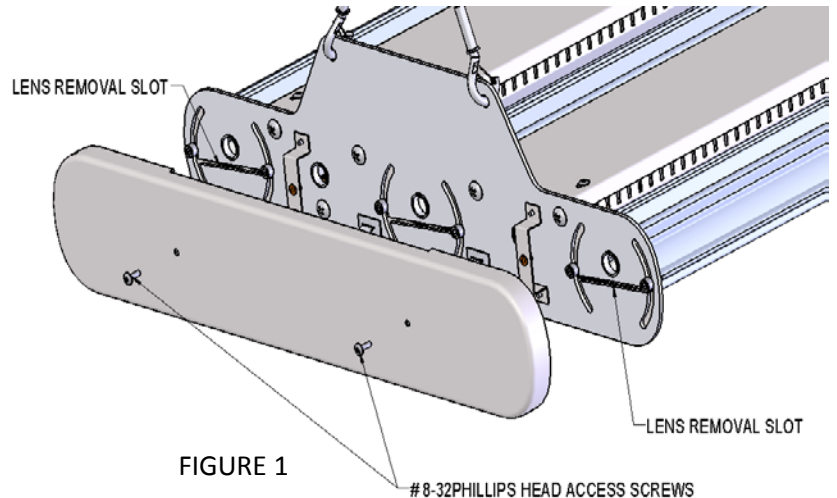
1. Disconnect supply circuit
2. Remove all #8-32 x 1/2" phillips head fasteners securing the driver cover(s)
3. Using a fine tipped instrument disconnect all wires from driver
4. Remove and properly dispose of old driver, replace with new driver
5. Reverse steps for re-assembly



Replacing LED Module Access/Replacement – Requires a T-30 Torx Driver

NOTE: Can be done while hanging, or by taking down entire fixture

1. Disconnect supply circuit, allow fixture to cool before beginning operation.
2. Remove the access fasteners and end caps from both ends of fixture as shown in figure 1.
3. Loosen, DO NOT remove, the fasteners securing the aluminum LED module assembly. This step requires a T-30 torx driver. Take care that module assembly does not fall.



4. Using your hand, twist the module assembly so that the lens is allowed to slide through the slot in one of the end plates as shown in figure 1. Once in module assembly is in place hold in position and tighten the T-30 screws on one side of the fixture.

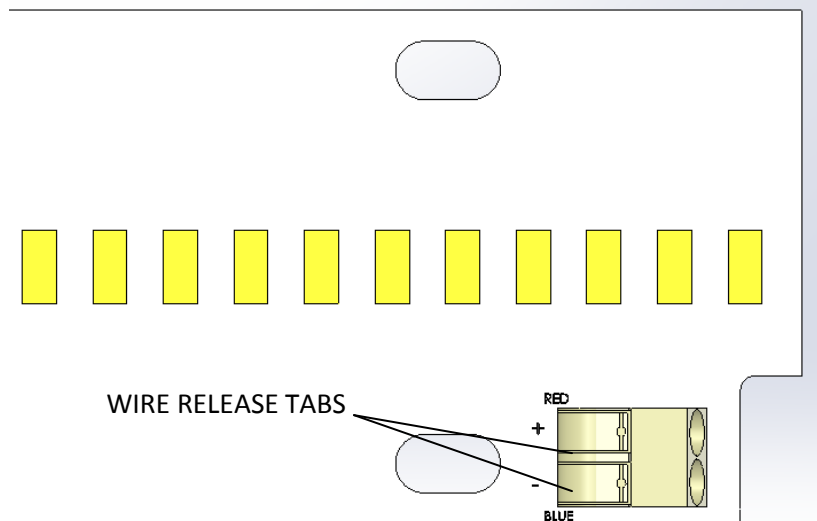
5. Slide lens out through slot in the end plate to expose the LED board.
NOTE: The lens does not need to be fully taken out, only moved enough to access all the fasteners on the LED board.

6. Remove wires from LED module. Using a fine tipped instrument, press the wire release tabs shown in figure 2 and remove wires with caution. NOTE: Too much force on wire release tabs will casue them to break.

7. Remove the LED module fasteners, and LED module. Depending on which model was purchased will dictate which type of fasteners are used. If fasteners are #8-32 screws, they can be removed and reused. If any other type of fastener is present they can be removed, but CAN NOT be reused. Contact the factory for replacement details.

8. Reattach the wires that were removed in step 6. White with a red tracer to (+), white with a blue tracer to (-).

9. Replace the LED board. (To prevent damage, it is highly reccomended that the technician and work area be properly grounded.) Place the new LED board in the same location and orientation as the previous board and secure in place using the #8-32 screws or using new fasteners.



10. Slide lens back into place
11. Loosen the T-30 screws that were re-tightened in step 4. Using your hand adjust the module assembly to desired location and tighten T-30 screws.
12. Reattach end caps to both ends using access fasteners that were removed in step 2.

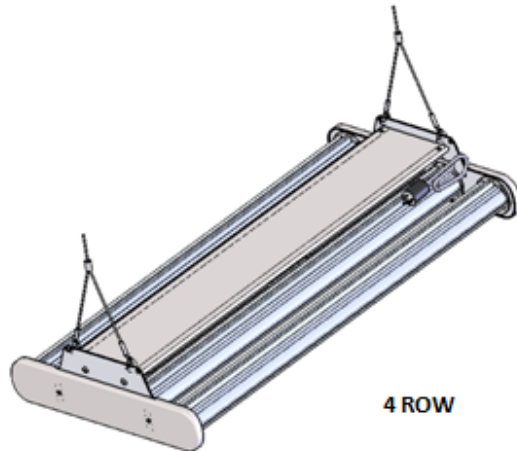
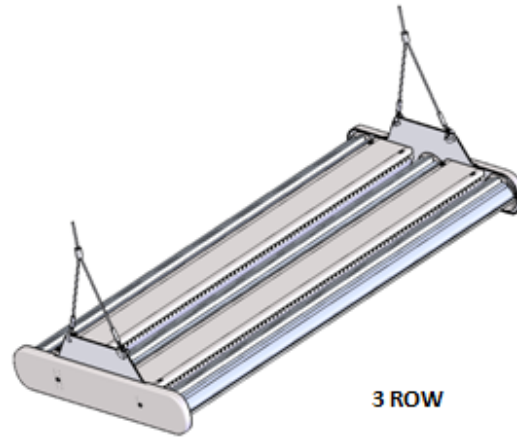
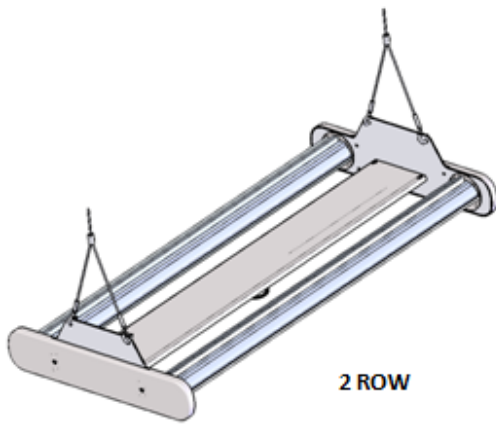
13. Connect the fixture to the power supply.

FIGURE 2

OVERVIEW

MODEL # IDENTIFICATION

Number of Rows	Length of Fixture		
	4 FT	6 FT	8 FT
2 ROW	LE121-PXX-4-2R	LE121-PXX-6-2R	LE121-PXX-8-2R
3 ROW	LE121-PXX-4-3R	LE121-PXX-6-3R	LE121-PXX-8-3R
4 ROW	LE121-PXX-4-4R	LE121-PXX-6-4R	LE121-PXX-8-4R

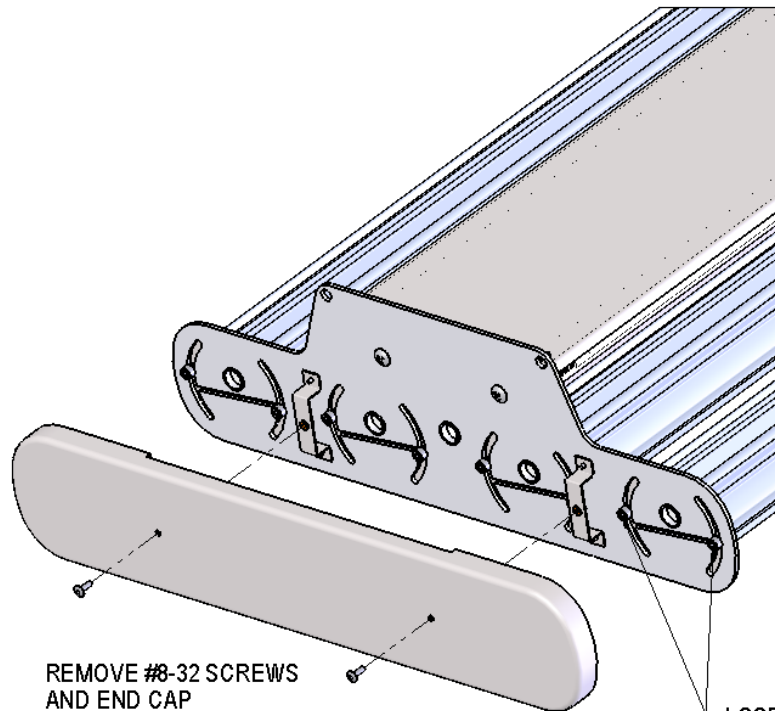


DIMENSIONS



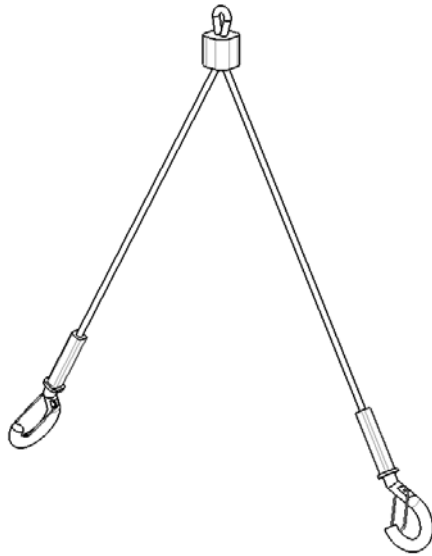
		<i>Length of Fixture</i>		
		4 ft	6 ft	8ft
<i>All Row Options</i>	Length	46"	68.122"	90.185"
	Width	22.08"	22.08"	22.08"
	Height	6.995	6.995	6.995

ADJUSTABLE LED MODULES



NOTE: ADJUSTMENT REQUIRES A TORX T-30 DRIVER

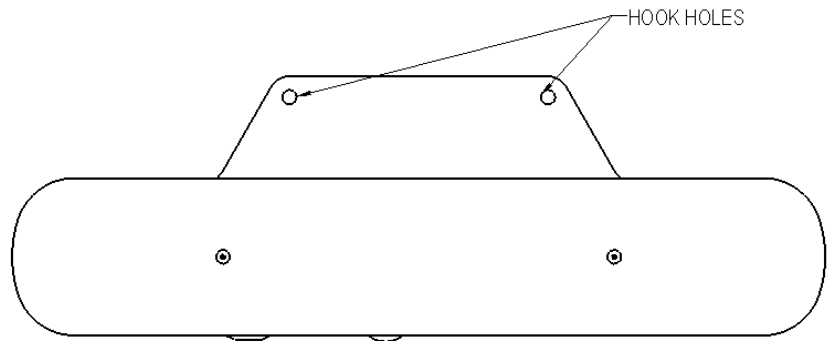
TYPICAL MOUNTING



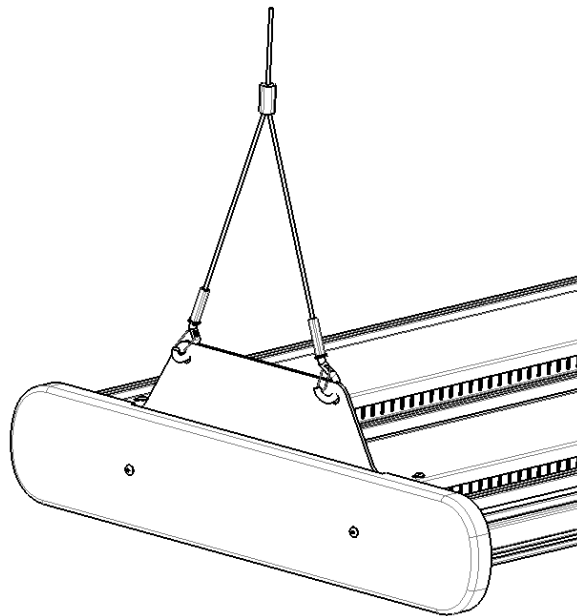
Y-FIT HANGER WITH HOOKS

Y-FIT HANGER

Each Hanger comprises a length of steel wire rope with 2 hanging points at one end to form a Y configuration. The double end is fitted with hooks.

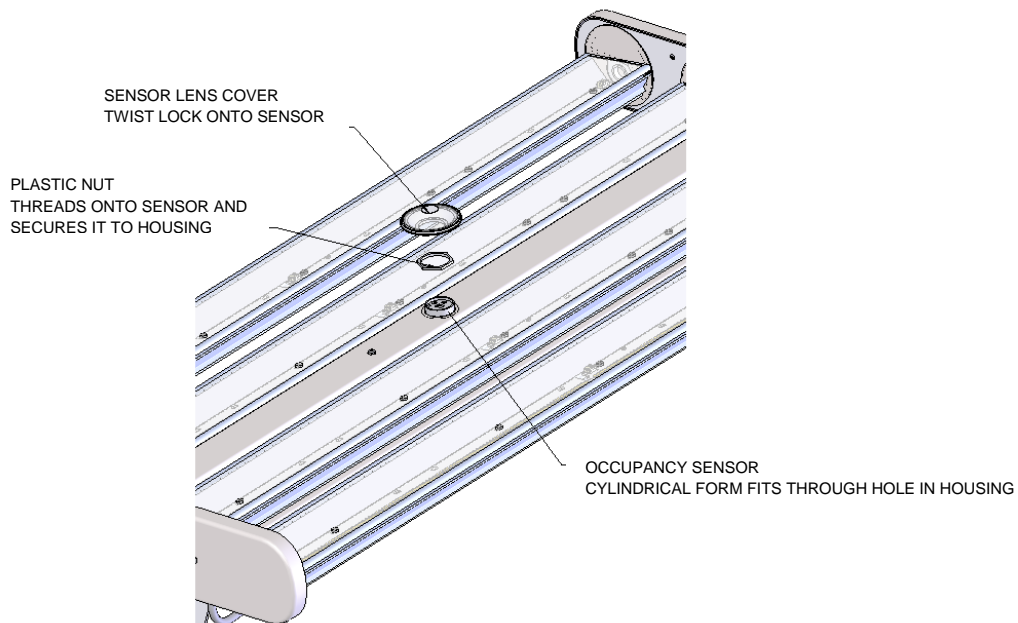


SIDE VIEW



ISOMETRIC

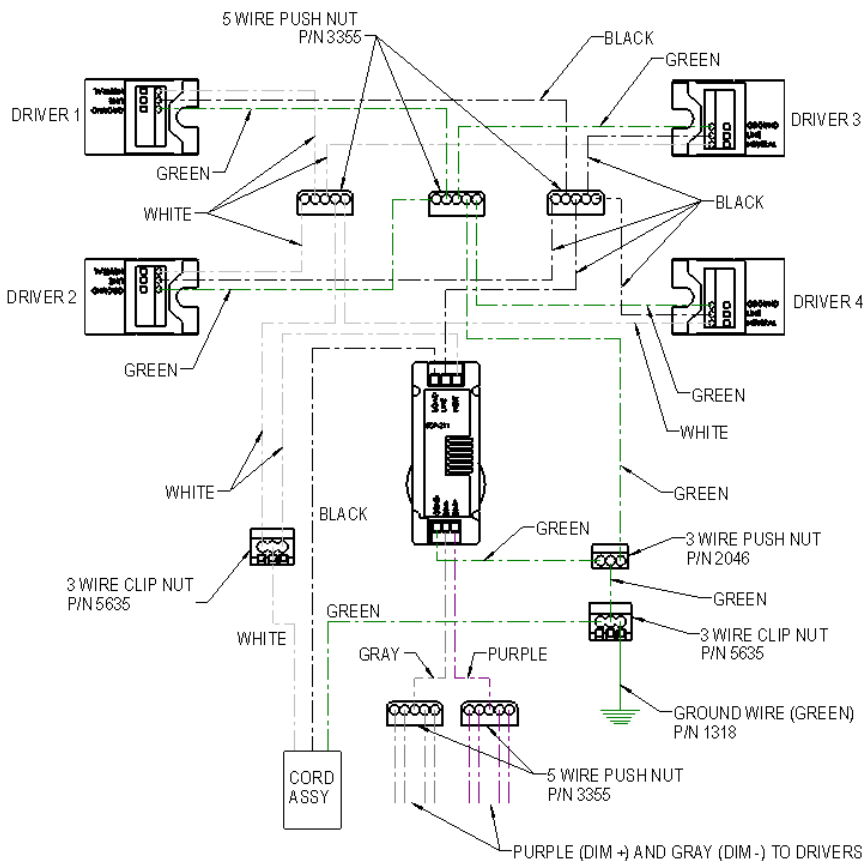
OPTIONAL SENSOR ASSEMBLY



OPTIONAL SENSOR WIRING

OPTIONAL SENSOR WIRING (P16 - BASIC)

NUMBER AND SIZE OF WIRE PUSH NUTS, AND WIRE CLIPS NUTS
ARE SUBJECT TO CHANGE DEPENDING ON MODEL # OF FIXTURE

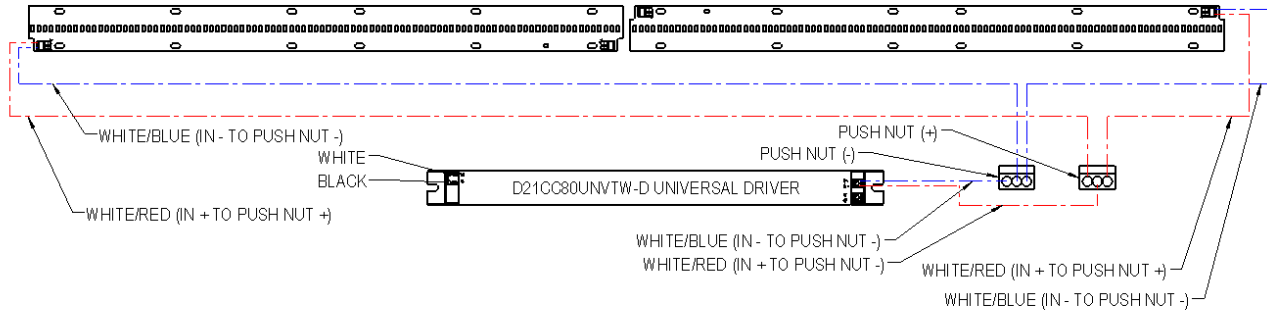


Note: Drivers in P22 system are self grounded so there will be no green wires connecting the drivers to the power cord. Only the occupancy sensor will have to be grounded using a green wire.

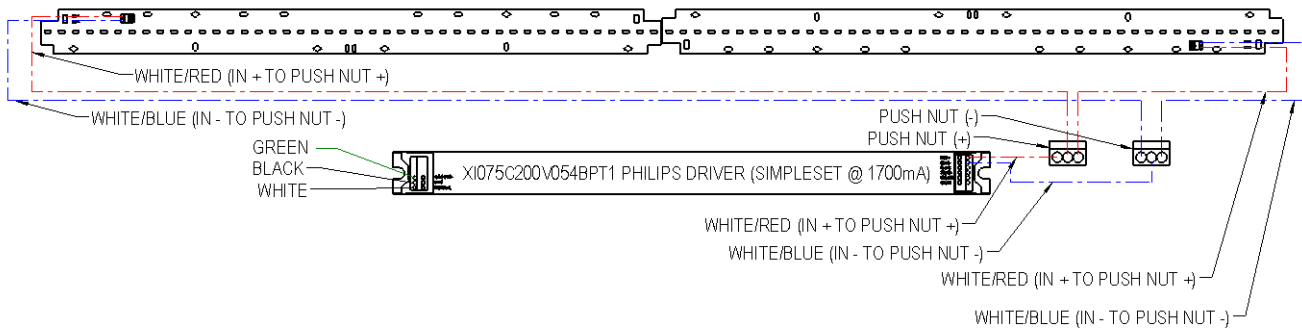
LED WIRING

4 FOOT FIXTURE

P22 OPTION

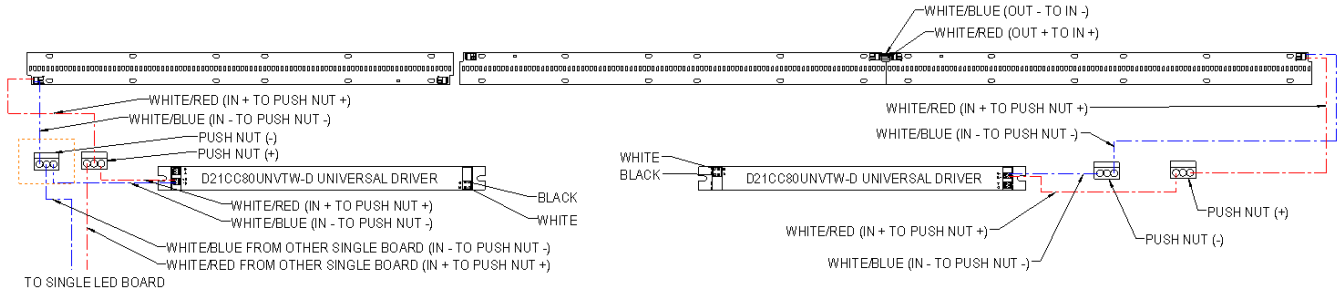


P16 OPTION

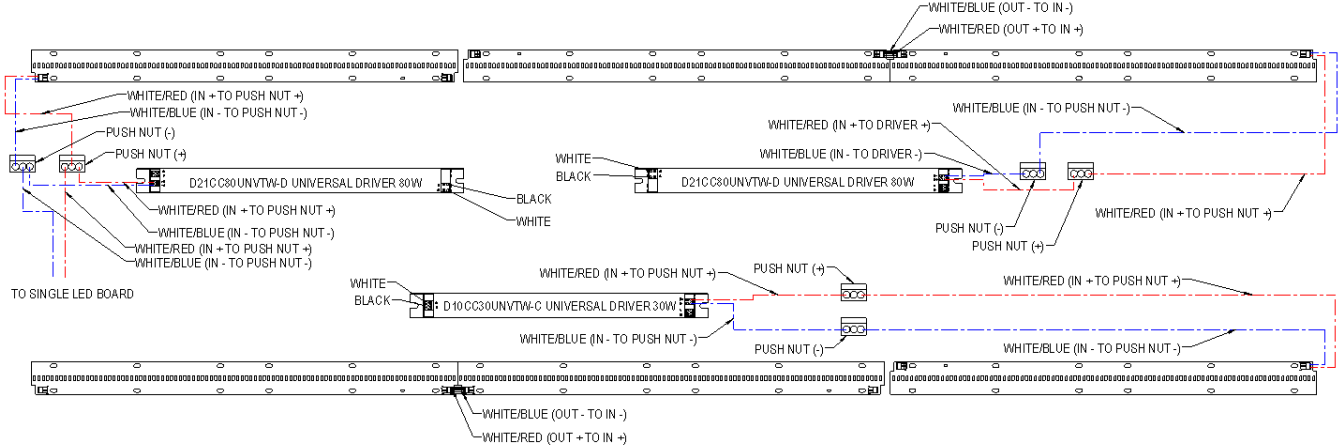


6 FOOT FIXTURE

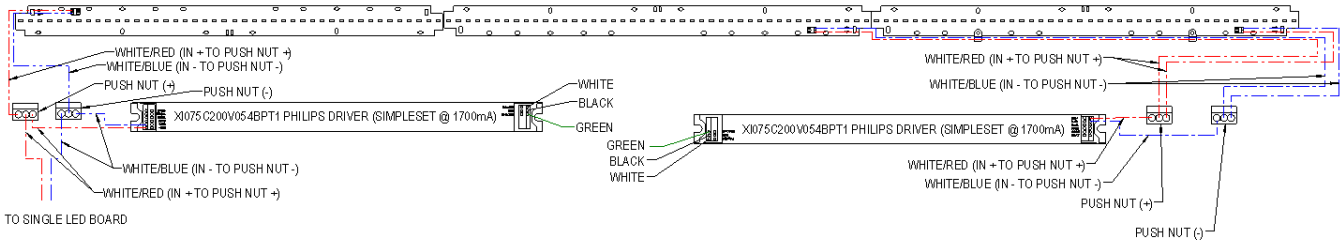
P22 - 2 ROW AND 4 ROW WIRING



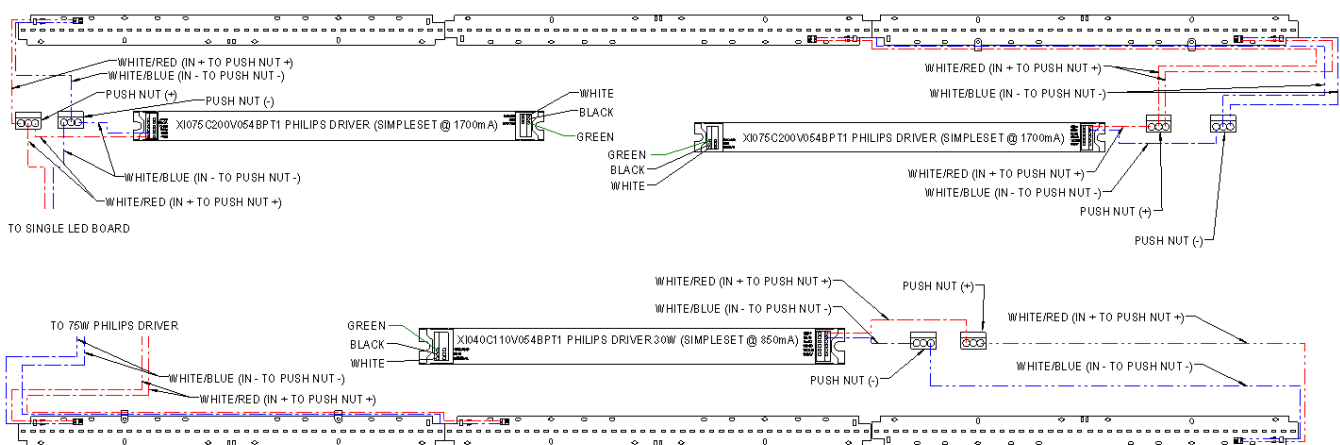
P22 - 3 ROW WIRING



P16 - 2 ROW AND 4 ROW WIRING

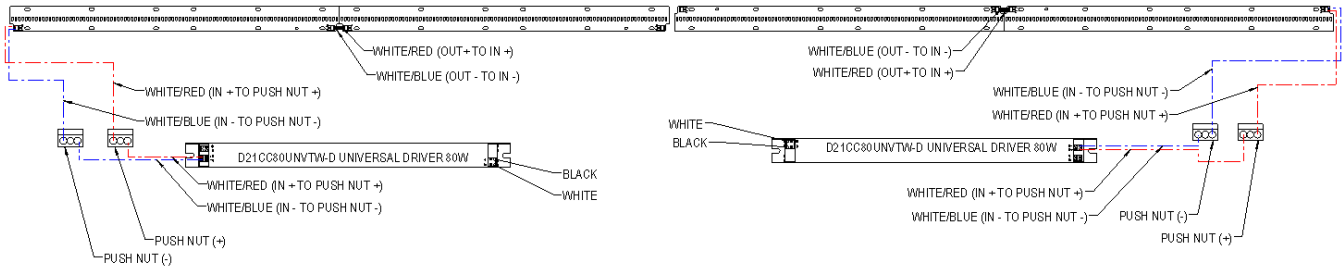


P16 - 3 ROW WIRING

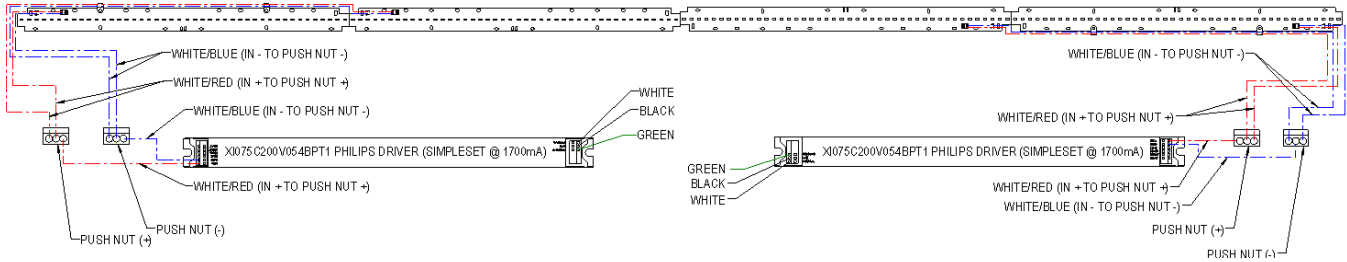


8 FOOT FIXTURE

P22 OPTION



P16 OPTION



NOTE: THE LED DRIVER IN THIS FIXTURE IS DESIGNED TO OPERATE ON GROUNDED NEUTRAL SYSTEMS ONLY.
IMPORTANT SAFETY NOTE: THERE IS STILL VOLTAGE INSIDE THE FIXTURE WHEN THE FIXTURE IS OPENED AND SUPPLY CIRCUIT IS STILL CONNECTED.
WARNING: TO PREVENT THE RISK OF ELECTRICAL SHOCK DEACTIVATE/DISCONNECT THE POWER SUPPLY BEFORE MAINTENANCE OF FIXTURE.
NOTE: REFER TO DIAGRAM ON LED DRIVER WITH SPECIFIC WIRING DETAILS.