



INSTALLATION, OPERATION AND MAINTENANCE INSTRUCTIONS

REAR ACCESS, LE182 LED LIGHT FIXTURE FOR ORDINARY LOCATIONS ONLY

WARNING!

1. TO PREVENT THE RISK OF ELECTRICAL SHOCK DEACTIVATE/DISCONNECT THE POWER SUPPLY BEFORE INSTALLING OR RELAMPING FIXTURE.
2. THE DRIVER IN THIS FIXTURE IS DESIGNED TO OPERATE ON GROUNDED NEUTRAL SYSTEMS ONLY.
3. THIS FIXTURE SHOULD BE INSTALLED BY QUALIFIED TECHNICIANS IN STRICT ACCORDANCE WITH THE NATIONAL ELECTRICAL CODE AND ANY LOCAL REQUIREMENTS.

ORDINARY LOCATION APPLICATIONS ONLY

The fixture should be surface mounted to structure utilizing the flange of the fixture in an ordinary location environment ONLY.

OPERATIONAL DATA

Operate this fixture at its rated voltage. See fixture label for data. Do not install where the marked operating temperature exceeds the ignition temperature of the hazardous atmospheres..

INSTALLATION

1. Mark opening on structure where fixture is to be located as shown per customer's applications.
2. Cut opening in structure using suitable tools.

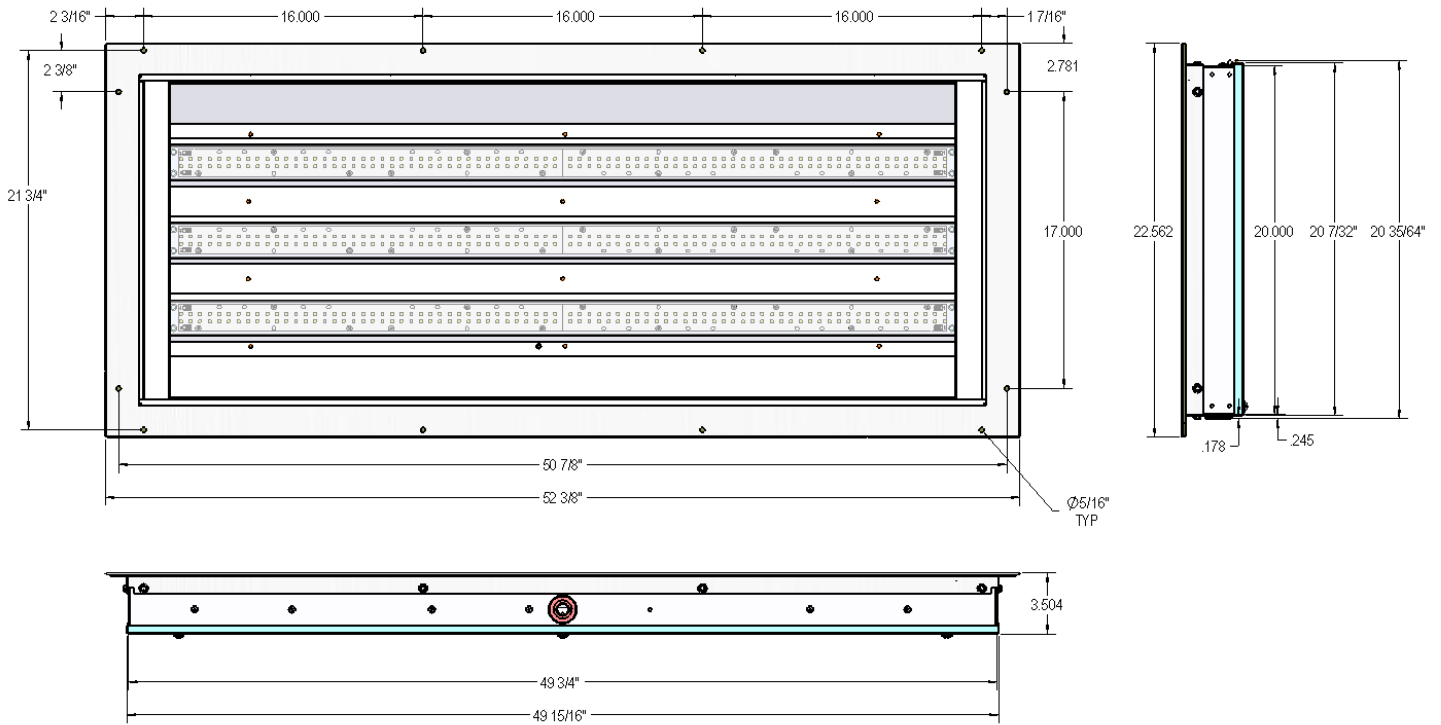
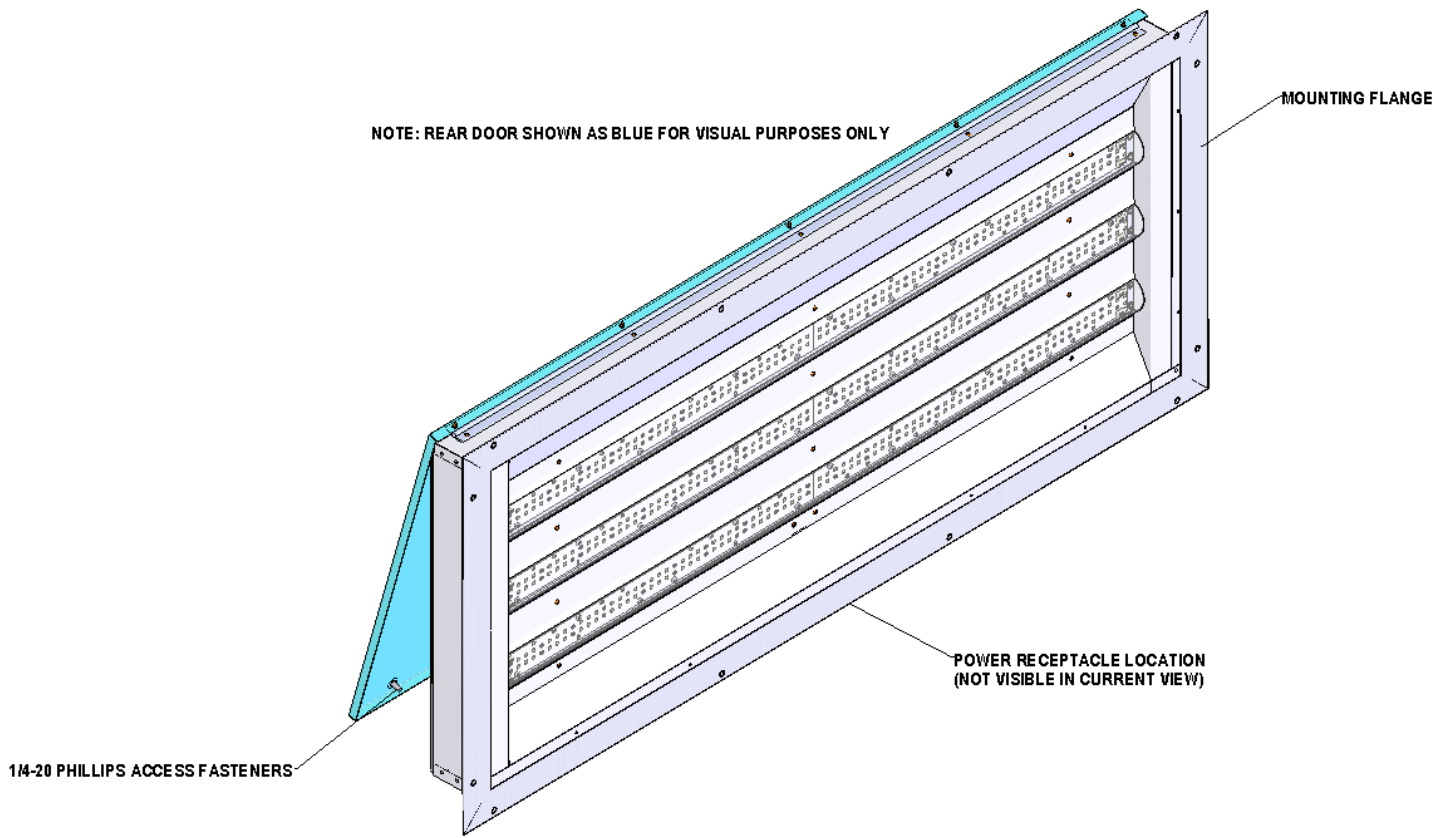
Note: If structure is not of the panel type, then customer must make sure the structure will allow mounting of fixture, dimensions shown below.

3. Place light fixture into opening in structure, center, and mark locations of mounting holes. (4 ft. fixtures have 12 mounting holes.)
4. Remove fixture from structure and punch or drill the 5/16" dia. mounting holes in structure.
5. Install light fixture into structure as shown. For horizontal mounting, mount with hinge on top side.

NOTE: Before installing fixture, make certain mounting gasket is installed on bottom surface of light mounting flange. Install mounting fasteners (not provided) and secure to booth panel. Customer is responsible for providing any structural reinforcements needed for mounting.

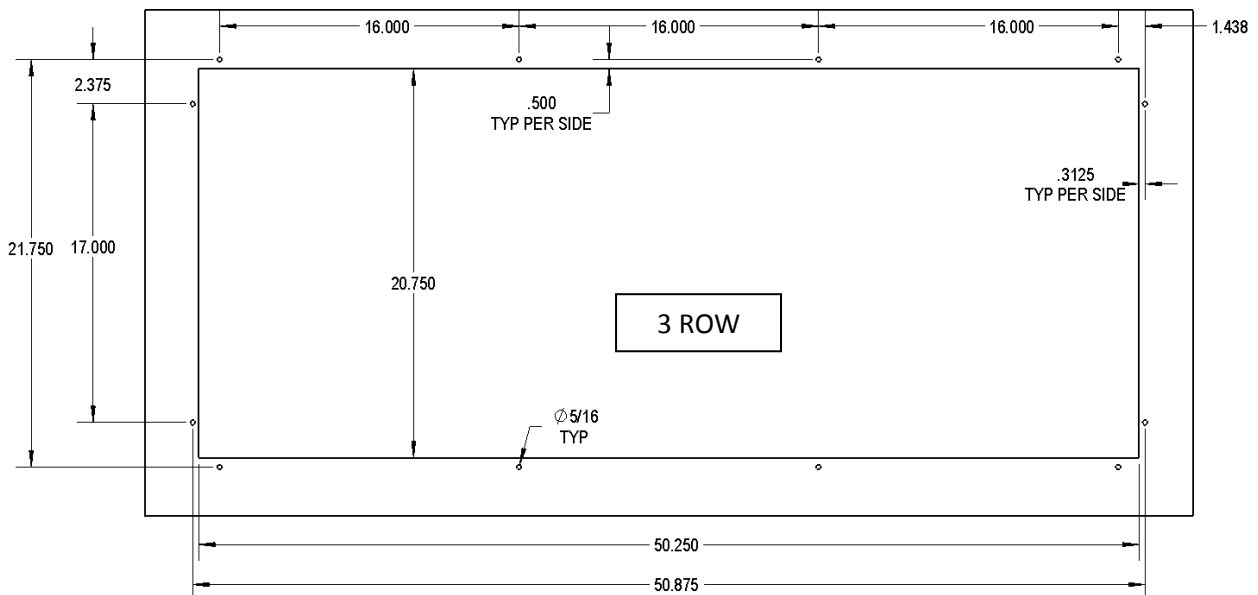
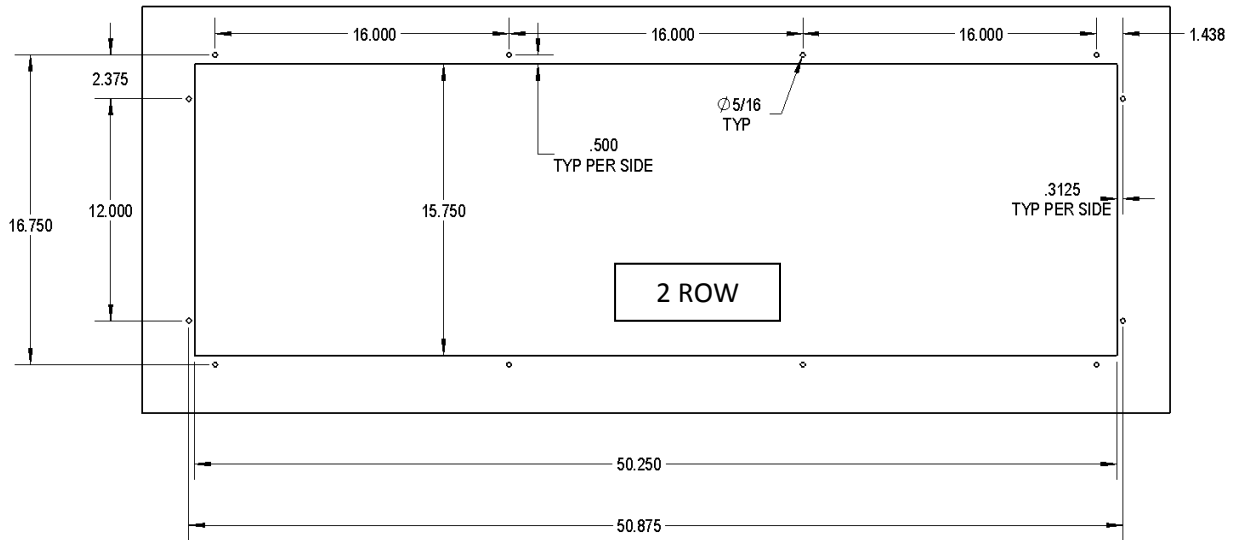
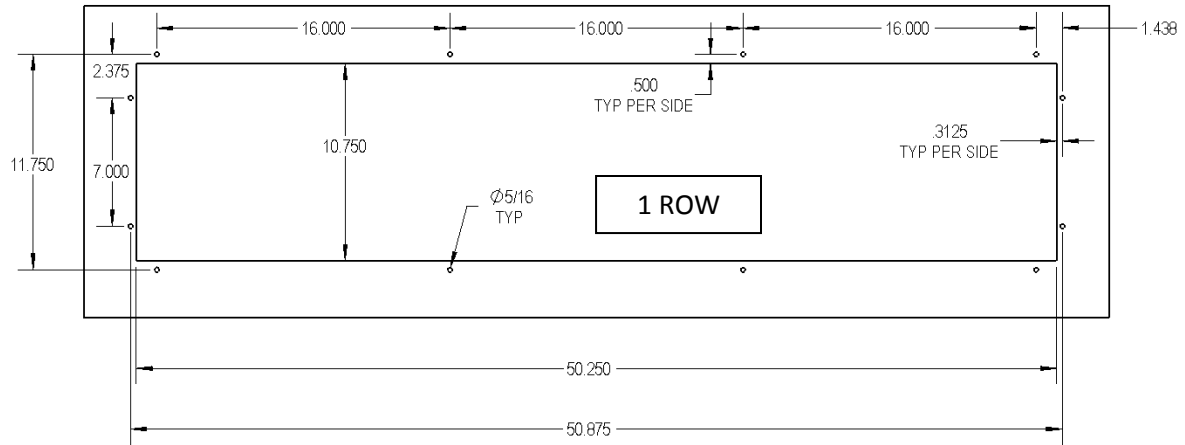
6. Attach power cord and plug into outlet located directly above fixture.
7. Installation of light fixture onto structure is now complete.

NOTE: REAR DOOR SHOWN AS BLUE FOR VISUAL PURPOSES ONLY

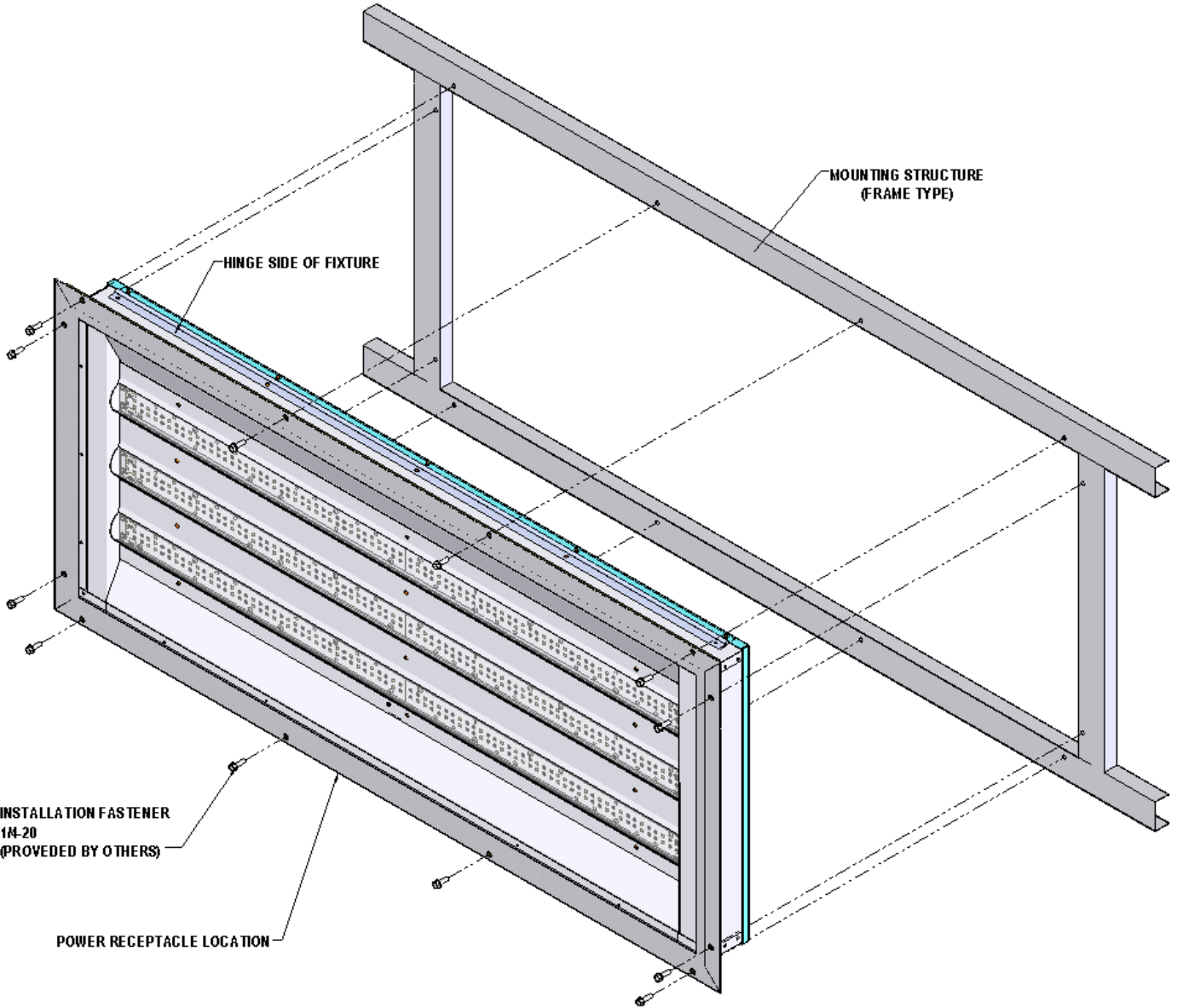


MOUNTING STRUCTURE DIMENSIONS

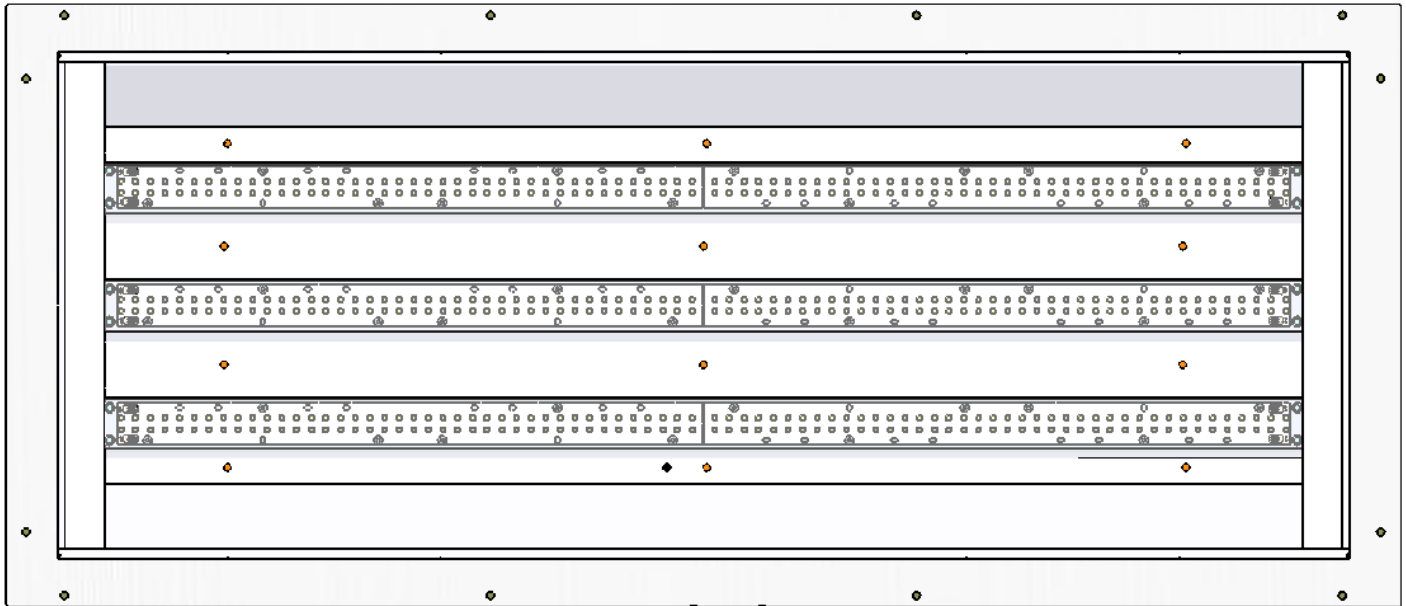
FIXTURE IS TO BE MOUNTED TO STRUCTURE



MOUNTING DETAIL: *NOT TO BE RECESS MOUNTED*
***SURFACE MOUNT ONLY* Must be mounted to structure that is not part of a wall or ceiling in NON hazardous locations only.**



WIRING SCHEMATIC - TYPICAL:



DIMMING CORD (OPTIONAL)

POWER CORD

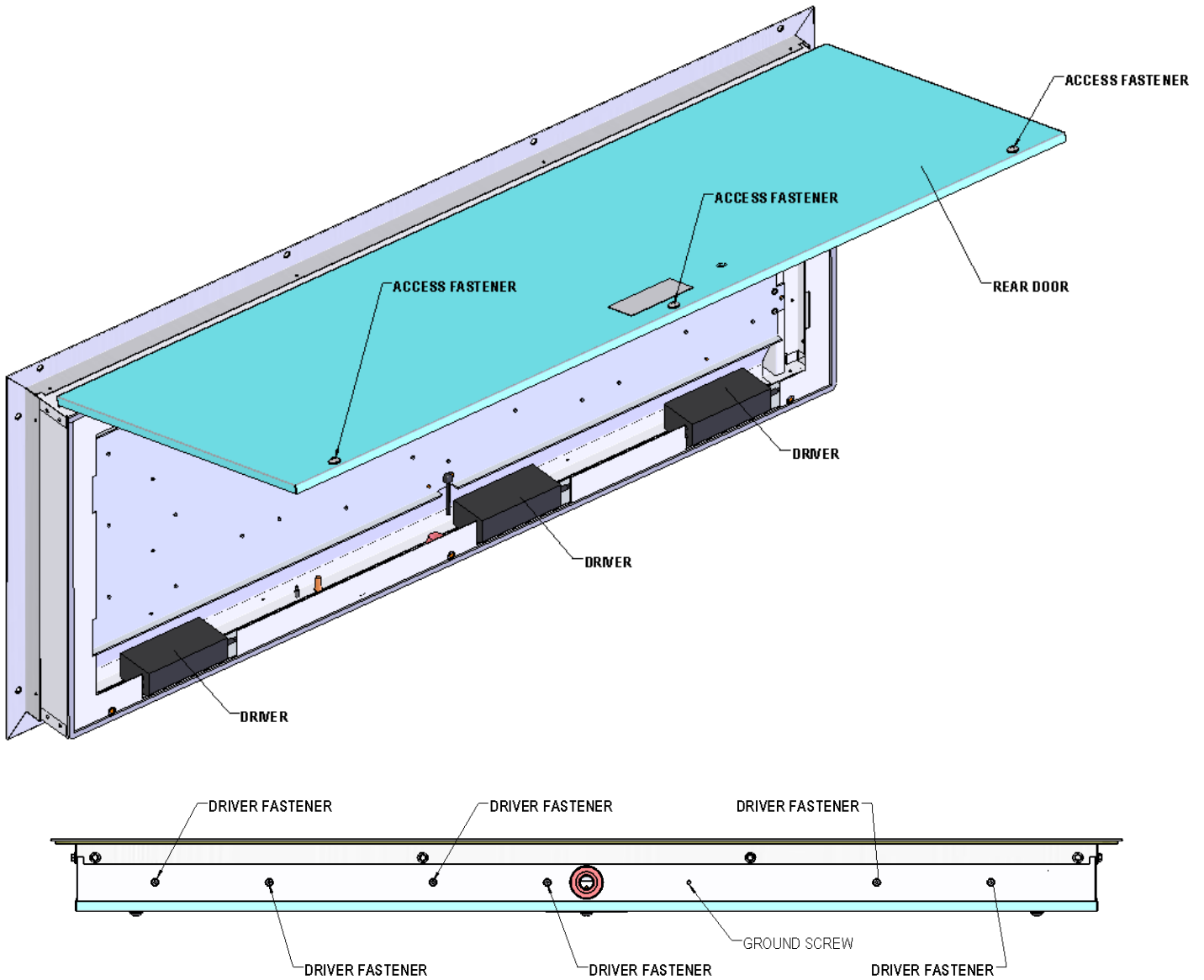
DIMMING LEADS AND POWER LEADS TO BE SEPARATED IN TWO SEPARATE CORDS TO AVOID ANY INTERFERENCE - INTERLOCK LEADS TO BE WITH POWER LEADS

CAUTION:

Overloading the switch circuits **WILL** cause failure. LDPI, Inc. recommends having a certified electrician/engineer review loads to ensure that overloading of switch does not occur

MAINTENANCE DATA

1. Although no routine maintenance is required to keep this fixture functional, it should be checked periodically to ensure that it is working properly and to look for any external damage.
2. For optimum performance, keep light transmission parts of fixture clean. Any commercial glass cleaner can be used to clean the glass.
3. In the event of glass breakage, it will be necessary to replace the damaged glass frame assembly, in order to maintain the integrity of the fixture.
4. To replace driver: Disconnect supply circuit. Remove qty 3 fasteners from rear door, opposite side from hinge. The door will swing open. Disconnect all yellow quick connections. Driver locations are shown in image below. To locate faulty driver, make sure the correct circuit between the driver and LED boards has been identified. This can be done by locating the two boards that are not working and following the leads back to the driver. Disconnect this driver and remove screws holding it in place. Replace with new driver, reconnect to the power and to the LED boards, reverse the steps to mount the driver and close the fixture.



5. To replace board: Disconnect supply circuit. Remove qty 3 fasteners from rear door, opposite side from hinge. The door will swing open. Disconnect all yellow quick connections. Remove qty 4 fasteners from backside of heat sink tray. Remove heat sink tray and set on table or bench. Using a small flathead screwdriver gently depress the wire release on the board and carefully pull wire from connector on board, this must be done on both ends of the LED board. Remove board and dispose of in proper fashion. Connect new board, Boards are wired in a series, refer to schematic below. place optics in place and secure covers and reflectors. Close rear door and install fasteners in door to seal.

