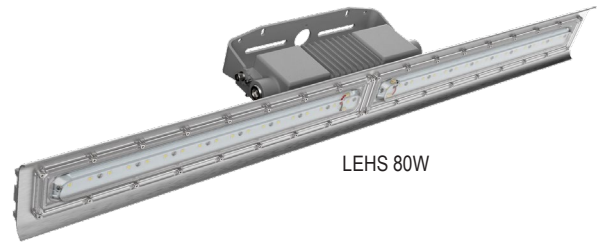
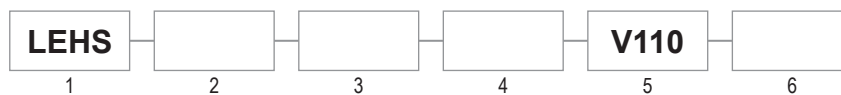


The LEHS is designed and listed for hazardous, marine, and wet locations. This product is ideal for replacing High Pressure Sodium (HPS) and Metal Halide (MH) fixtures for increased energy savings and maintenance.



LEHS 80W



1 SERIES	2 SOURCE	3 VOLTAGE	4 CCT	5 OPTIC / BEAM	6 LENS	
LEHS	L1: 2Ft. / 40W L2: 4Ft. / 80W	V1: 120-277VAC (50/60Hz) V2: 347-480VAC (50/60Hz)	4: 4,000K 5: 5,000K	V110: 110° TYPE V	C: Clear D: Diffused	Product comes standard with Yoke bracket pre-installed (3) 3/4" NPT Hubs 10Kv surge protector built-in 3Ft. 3-Wire whip, factory installed

CERTIFICATIONS

UL844 / CSA-C22.2 No.137 (Hazardous)
 CI D2, Grps A, B, C, D
 CII D1, Grps E, F, G
 CII D2, Grps F, G
 CIII D1
 Simultaneous Presence
 T-Code: CI D2=T3C / CII D1=T4A
 UL1598 / CSA-C22.2 No.250 (Wet/Damp)
 UL1598A (Marine Outside)
 DLC (inquire for specific part numbers)
 Lumen Maintenance (L70) >54,000 hrs. (reported)
 CRI >70
 -40°C to 50°C Ambient
 RH Ambient Humidity 5% to 95%
 IP66
 FCC

PERFORMANCE

Source	Voltage (VAC) 50/60Hz	Input Current (A)	Wattage (W)	CCT	Lumen Output* (Lm)	
					Clear Lens	Diffused Lens
L1	120-277	.33 - .14	40	4,000K	5590	4850
	347-480	.11 - .08		5,000K	6180	5270
L2	120-277	.67 - .29	80	4,000K	11350	9590
	347-480	.23 - .16		5,000K	11490	9930

* Nominal values

CONSTRUCTION

Copper-free aluminum
 Powder coat gray
 All exposed fasteners are stainless steel
 Polycarbonate lens
 Light weight compact design
 (3) 3/4" NPT hub locations
 Weights: 2Ft.-14 lbs. / 4Ft.-19 lbs.

ELECTRICAL

120-277 / 347-480VAC
 10Kv surge protector built in - Standard
 3Ft. 3-Wire whip standard, factory installed

FEATURES

High lumen output up to 137 Lm/W
 Shock and vibration resistant
 Thermal shock and impact resistant lens
 Mounting: Pole, Pendent, Wall/Flood, Ceiling, Hanging
 30° Yoke Adjustments (180° total)
 5 Year Warranty



Clear Lens



Diffused Lens

LEHS

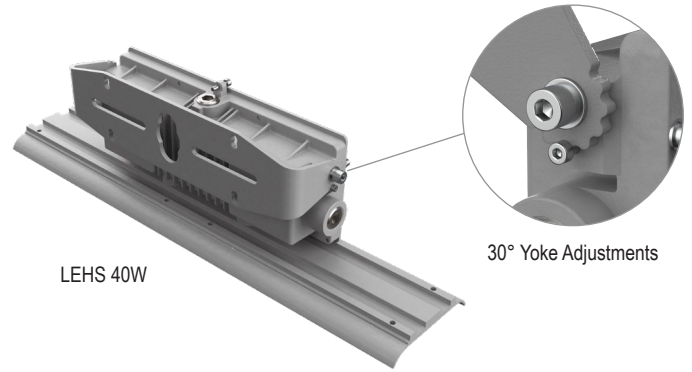
HAZARDOUS LOCATION

Chemical Processing • Industrial • Oil / Gas • Shipyards / Marine • Water Treatment



ACCESSORIES - (Field Installed, Order Separately)

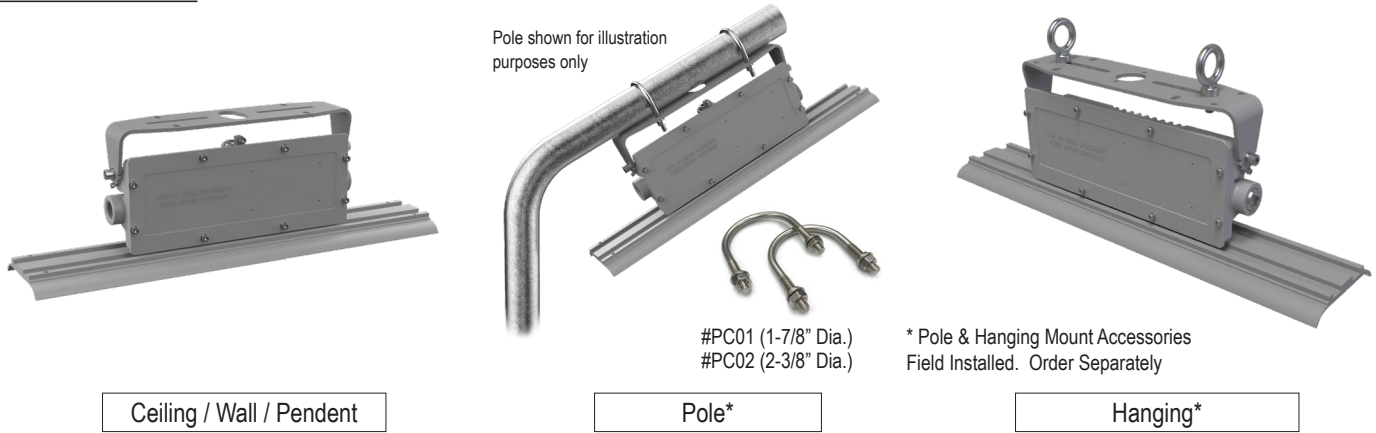
Part Number	Description	
PC01	Pole Mount Pipe Clamp Kit Stainless Steel 1-7/8" Dia. Includes: 2 Clamps	
PC02	Pole Mount Pipe Clamp Kit Stainless Steel 2-3/8" Dia. Includes: 2 Clamps	
HK04	Hanging Mount Kit Stainless Steel M10 Eyebolts and nuts Includes: 2 Eyebolts	



LEHS 40W

30° Yoke Adjustments

SUGGESTED MOUNTING



Ceiling / Wall / Pendent

Pole*

Hanging*

Pole shown for illustration purposes only

#PC01 (1-7/8" Dia.)
#PC02 (2-3/8" Dia.)

* Pole & Hanging Mount Accessories
Field Installed. Order Separately

DIMENSIONS

