



INSTALLATION, OPERATION AND MAINTENANCE INSTRUCTIONS

LE180 SERIES LED LIGHTING FIXTURES

IMPORTANT SAFEGUARDS READ AND FOLLOW ALL SAFETY INSTRUCTIONS BEFORE INSTALLING THIS FIXTURE

- This fixture should be installed by qualified technicians in strict accordance with the National Electrical Code and any local requirements. NOTE: For cord and plug applications, the fixture must be mounted directly below the outlet/busway.
- To prevent risk of electrical shock deactivate/disconnect the power supply before installing or servicing fixture.
- To maximize longevity of the fixture, do not mount near heat sources.
- The use of accessory equipment not recommended by the manufacturer may cause an unsafe condition and/or void warranty.
- This fixture is designed for general lighting purposes. Do not use fixture for other than intended use.

SAVE THESE INSTRUCTIONS

INSTALLATION

1. **BEFORE INSTALLING, MAKE SURE THAT THE CIRCUIT IS DEACTIVATED.**
2. THE DRIVER IN THIS FIXTURE IS DESIGNED TO OPERATE ON GROUNDED NEUTRAL SYSTEMS ONLY.
3. Before installing, check the fixture label to insure correct voltage and frequency.
4. If the light fixture is equipped with an external wire whip the fixtures does not need to be opened during installation.
5. To access driver/wiring: While holding the LED gear tray in place remove the two 1/4"-20 phillips head screws from the side of the fixture. **Caution:** once the screws are removed the gear tray is free to drop out so it must be supported to prevent it from falling out.
6. Wire fixture through conduit hub when applicable according to schematic on driver.
7. Once wiring is complete install gear tray and replace fasteners.
8. Refer to the following pages for Typical LE180 Series fixture mounting. Mounting hardware is not supplied.
9. Install fixture to surface or structure using mounting holes.
10. Installation of light fixture onto surface or structure is now complete.

OPERATIONAL DATA

Operate this fixture at its rated voltage. NOTE: REFER TO LED DRIVER IN FIXTURE FOR ITS RATED VOLTAGE.

MAINTENANCE DATA

Although no routine maintenance is required to keep this fixture functional, it should be checked periodically to ensure that it is functioning properly and to inspect for external damage.

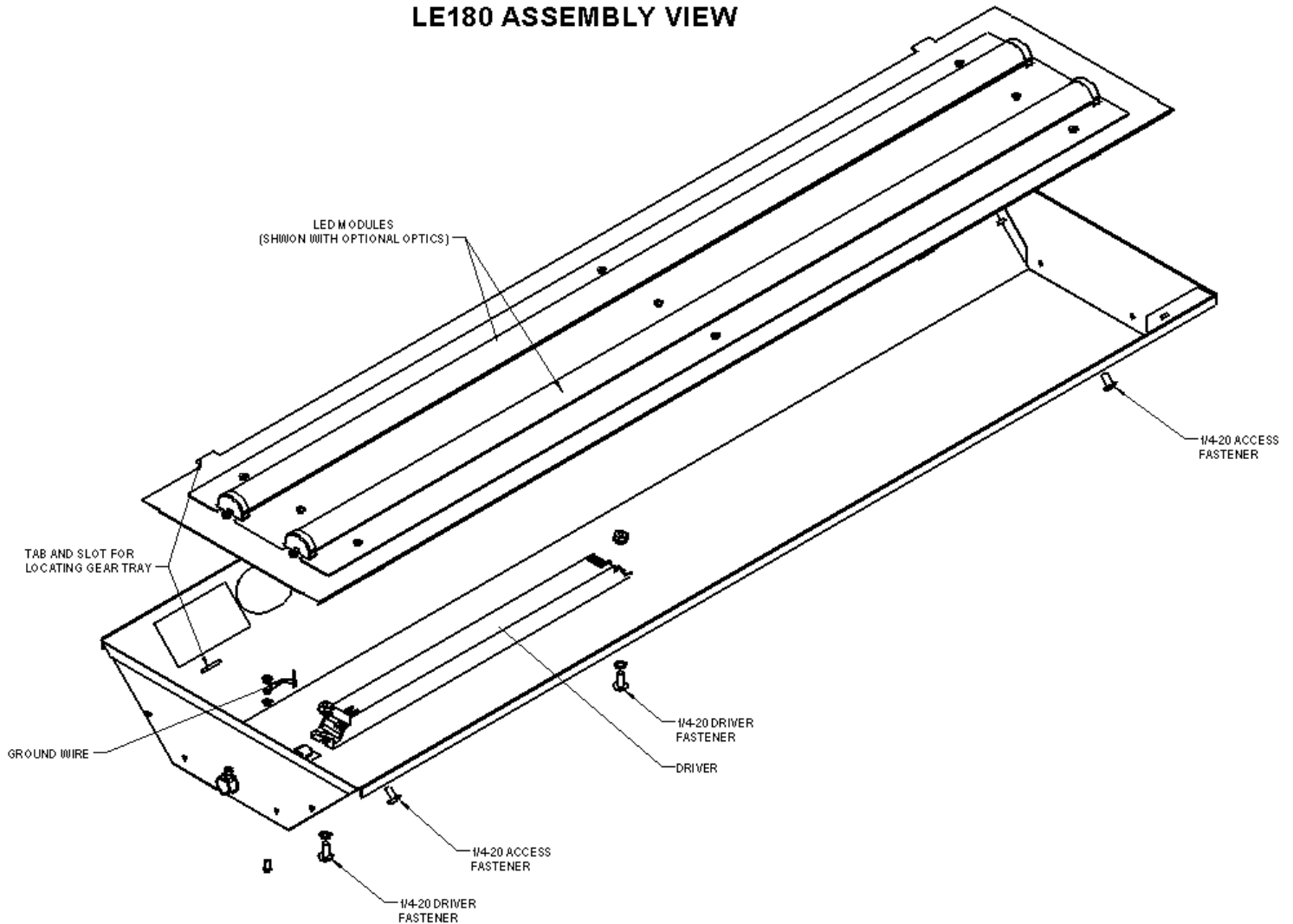
For optimum performance and longevity:

- Keep fixture free of debris and sediment build up.
- keep light transmission optics clean.
- Optic care: While exercising caution to eliminate the ingress of all liquids, wipe down with a lint free cloth wetted with with warm water and milde soap solution. Extreme care must be taken to ensure that the nothing touches the LED modules at any time. To remove grease, oil and graffiti, use Isopropyl Alcohol followed by the above soap solution sequence. Extreme care must be taken to ensure that the nothing touches the LED modules at any time.

To replace LED driver:

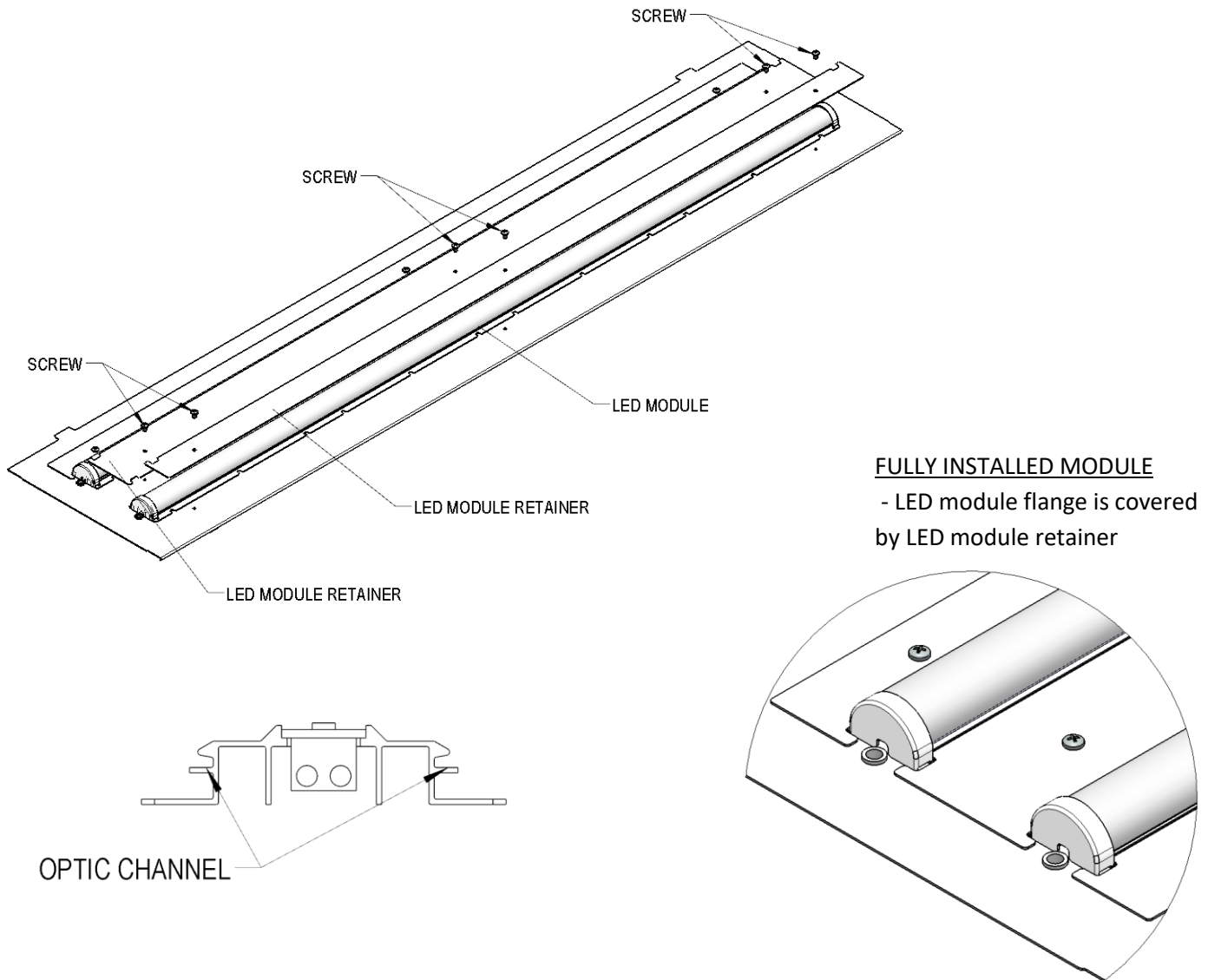
- **BEFORE OPENING THE FIXTURE, MAKE SURE THAT THE CIRCUIT IS DEACTIVATED.**
- Driver replacement is best done by removing the fixture from service and placing it on a work bench.
- If the fixture cannot be removed from service care must be taken to hold the LED gear tray in place while removing the two 1/4"-20 phillips head screws from the side of the fixture. **Caution:** once the screws are removed the gear tray is free to drop out so it must be supported to prevent it from falling out.
- Disconnect the driver from the gear tray wiring and the incoming power leads.
- Replace old driver with new driver. Install the gear tray assembly in the fixture and replace the fasteners.

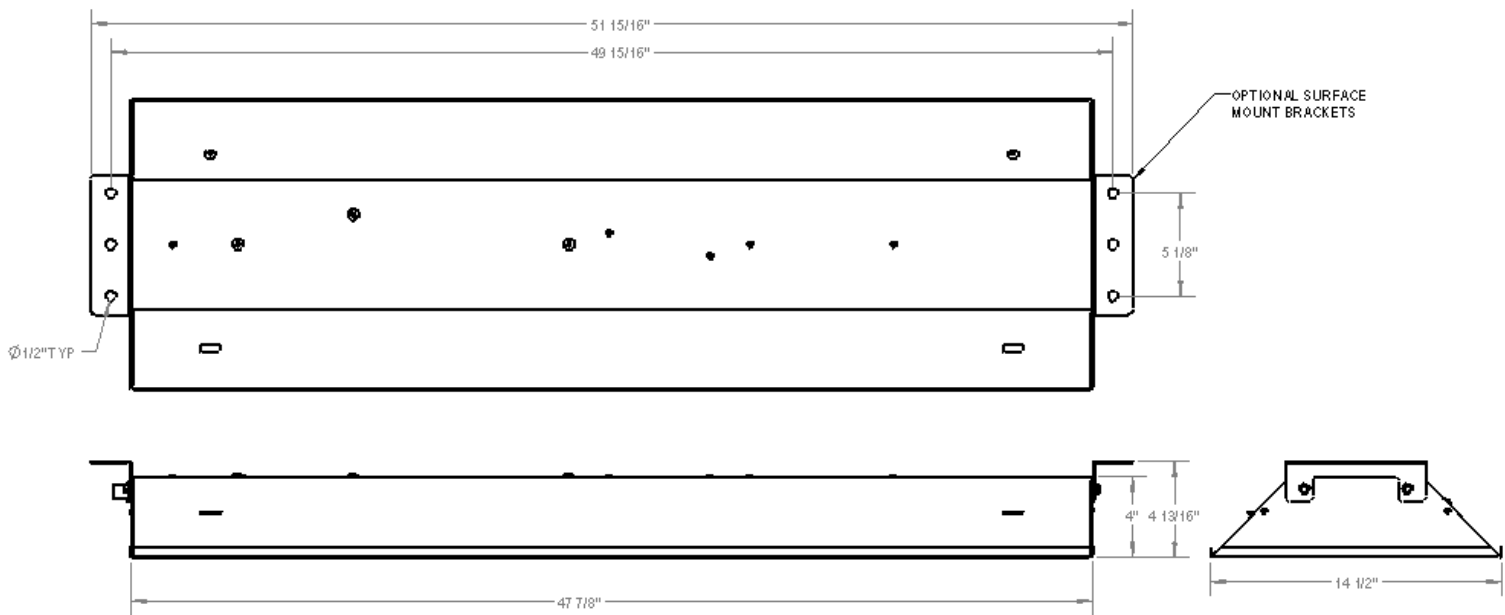
LE180 ASSEMBLY VIEW



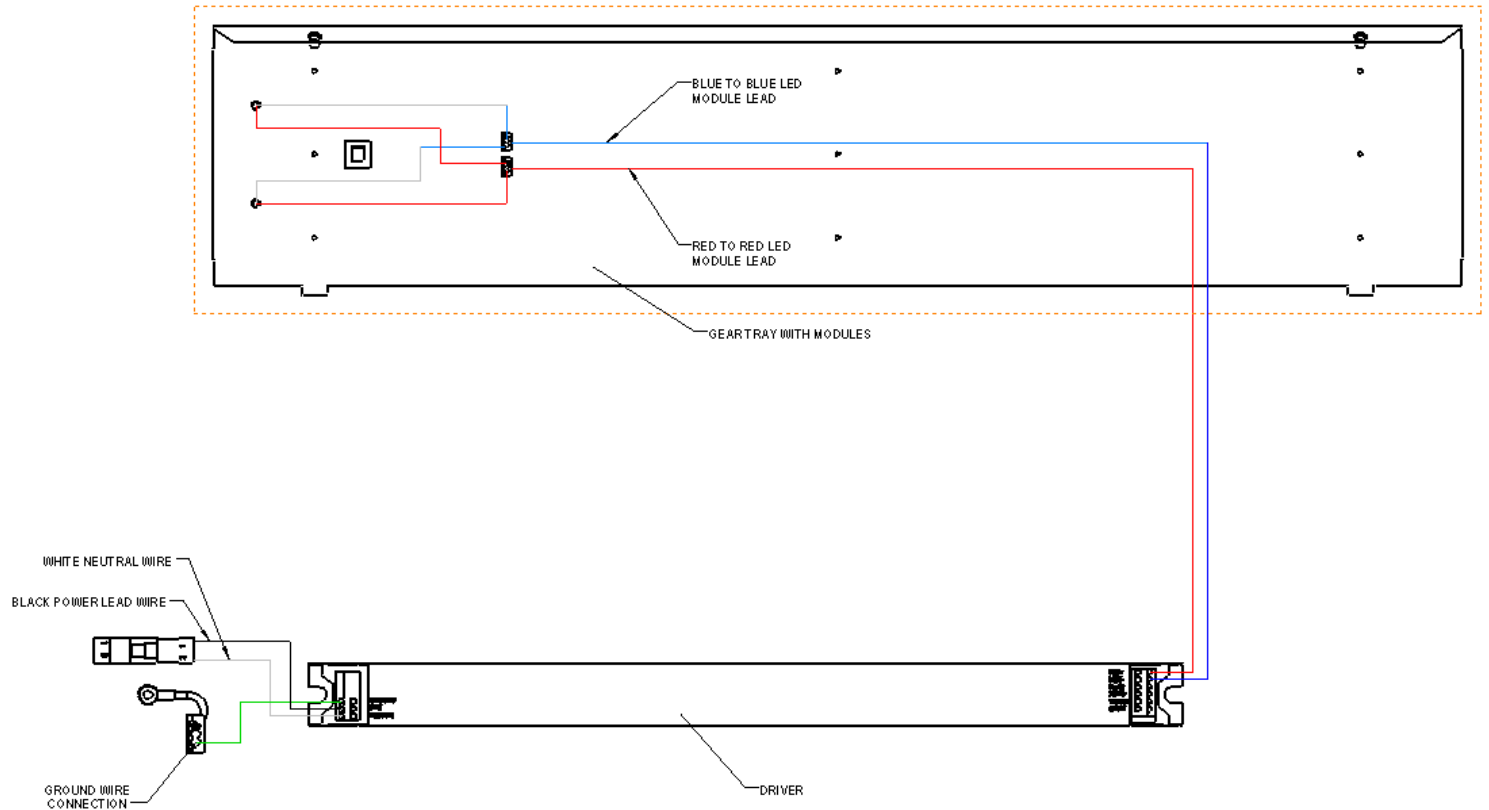
To replace LED module:

- **BEFORE OPENING THE FIXTURE, MAKE SURE THAT THE CIRCUIT IS DEACTIVATED.**
- Remove tray with LED as shown in image "LE180 Assembly View"
- Disconnect driver from LED modules
- Remove screws from module retainer around faulty module
- Remove LED module
- Disconnect the wires from the LED module
 - i. Use a fine tipped tool to depress the release clasps of the module and pull out the wire
- Carefully remove end caps - use small fine tipped tool to release tabs on bottom of module
- Slide optic out if present
- Connect wires to new LED module
 - i. Red to LED (+)
 - ii. Blue to LED (-)
- Slide optic from original module onto new module in optic channel
- Snap end caps on either end of module
- Set LED module on tray
- Set center LED module retainer on tray - locate with center hole and secure with screws x3
- **IMPORTANT:** LED module retainer is to go over flange of LED module
- Place side LED module retainers onto tray - locate with center hole
- Secure with screws
- Connect LED tray to driver - see schematic
- Put LED tray back into fixture - secure with 1/4-20 screws - see image "LE180 Assembly View"





TYPICAL WIRING SCHEMATIC FOR LE180:



NOTE: THE LED DRIVER IN THIS FIXTURE IS DESIGNED TO OPERATE ON GROUNDED NEUTRAL SYSTEMS ONLY.

IMPORTANT SAFETY NOTE: THERE IS STILL VOLTAGE INSIDE THE FIXTURE WHEN THE FIXTURE IS OPENED.

WARNING: TO PREVENT THE RISK OF ELECTRICAL SHOCK DEACTIVATE/DISCONNECT THE POWER SUPPLY BEFORE MAINTENANCE OF FIXTURE.

NOTE: REFER TO DIAGRAM ON LED DRIVER WITH SPECIFIC WIRING DETAILS.